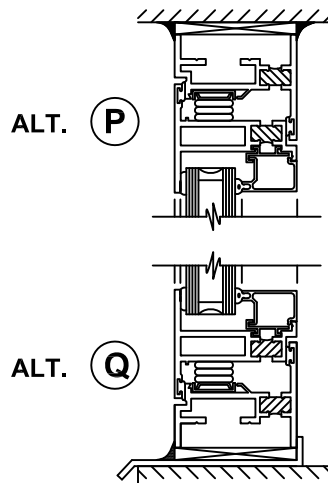
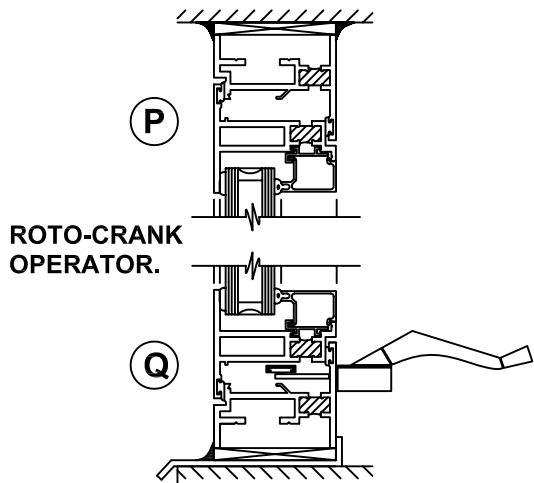
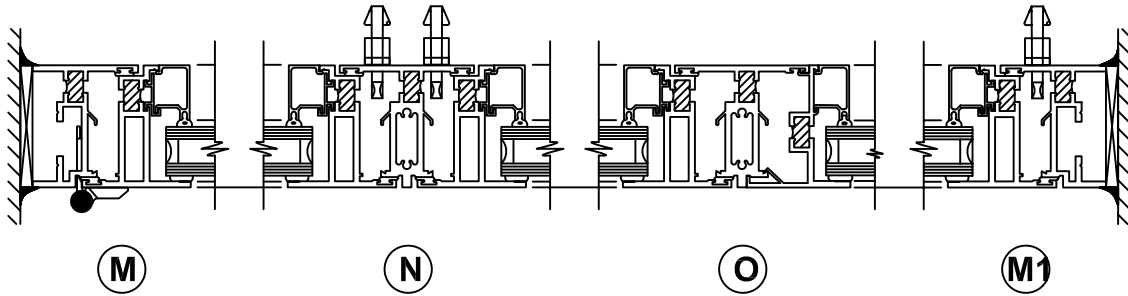
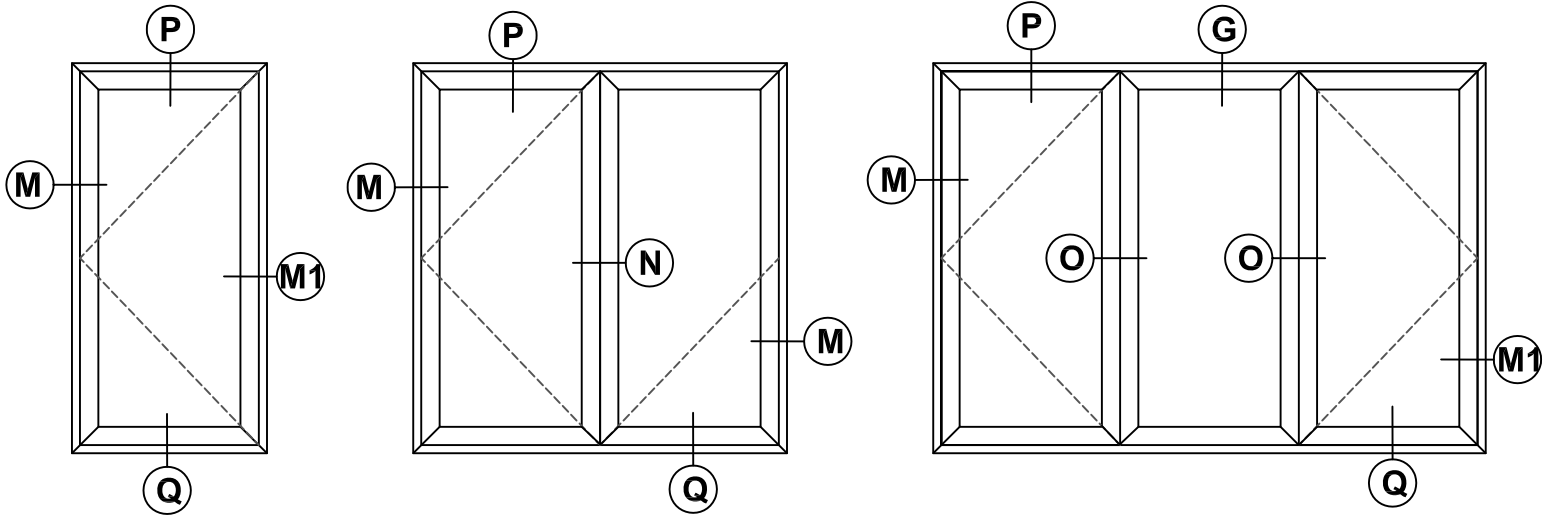
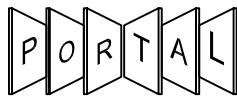


**CASEMENT WINDOWS**

**WITH ROTO-CRANK OPERATORS AND SIDE HINGES**  
**OR**  
**CAM HANDLES AND TOP & BOTTOM BAR HINGES**



**FOUR-BAR HINGE TOP & BOTTOM FOR MANUAL OPERATION**

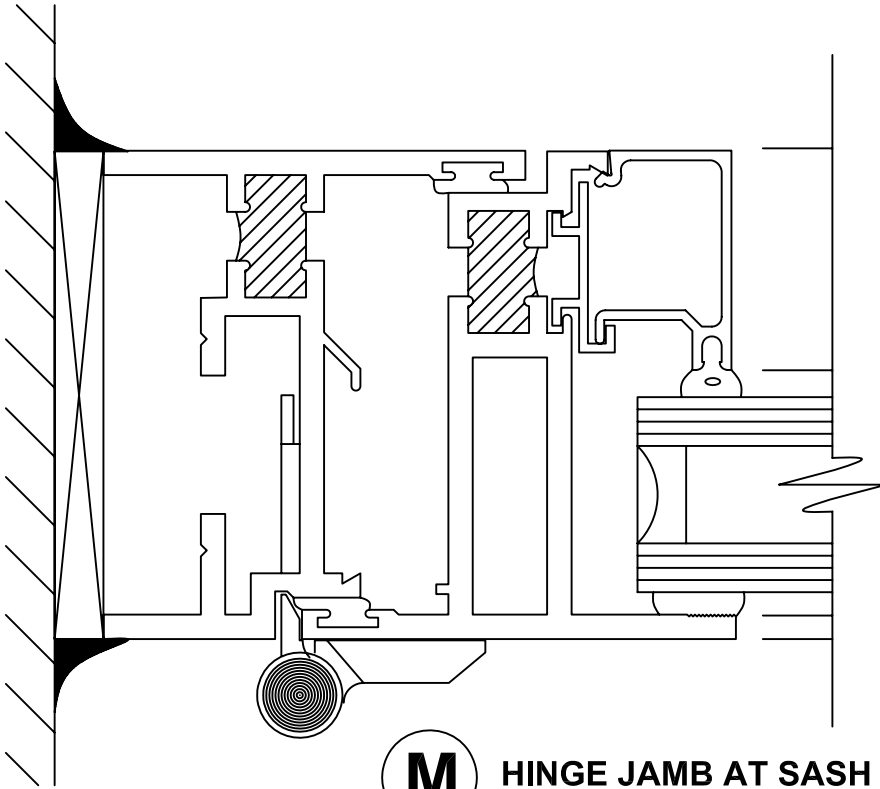


# PORTAL INC.

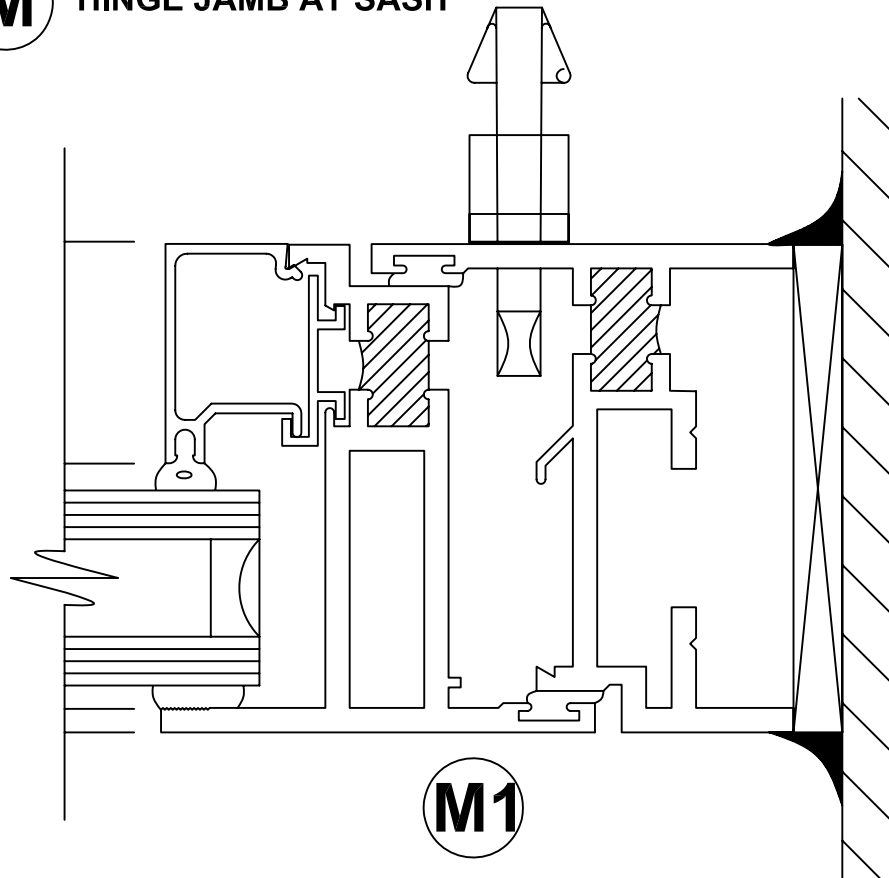
10 TRACY DRIVE - AVON, MA. 02322

SERIES  
250TB  
full size details

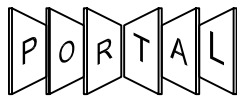
## CASEMENT WINDOWS



**M** HINGE JAMB AT SASH



**M1**  
LOCK JAMB AT SASH

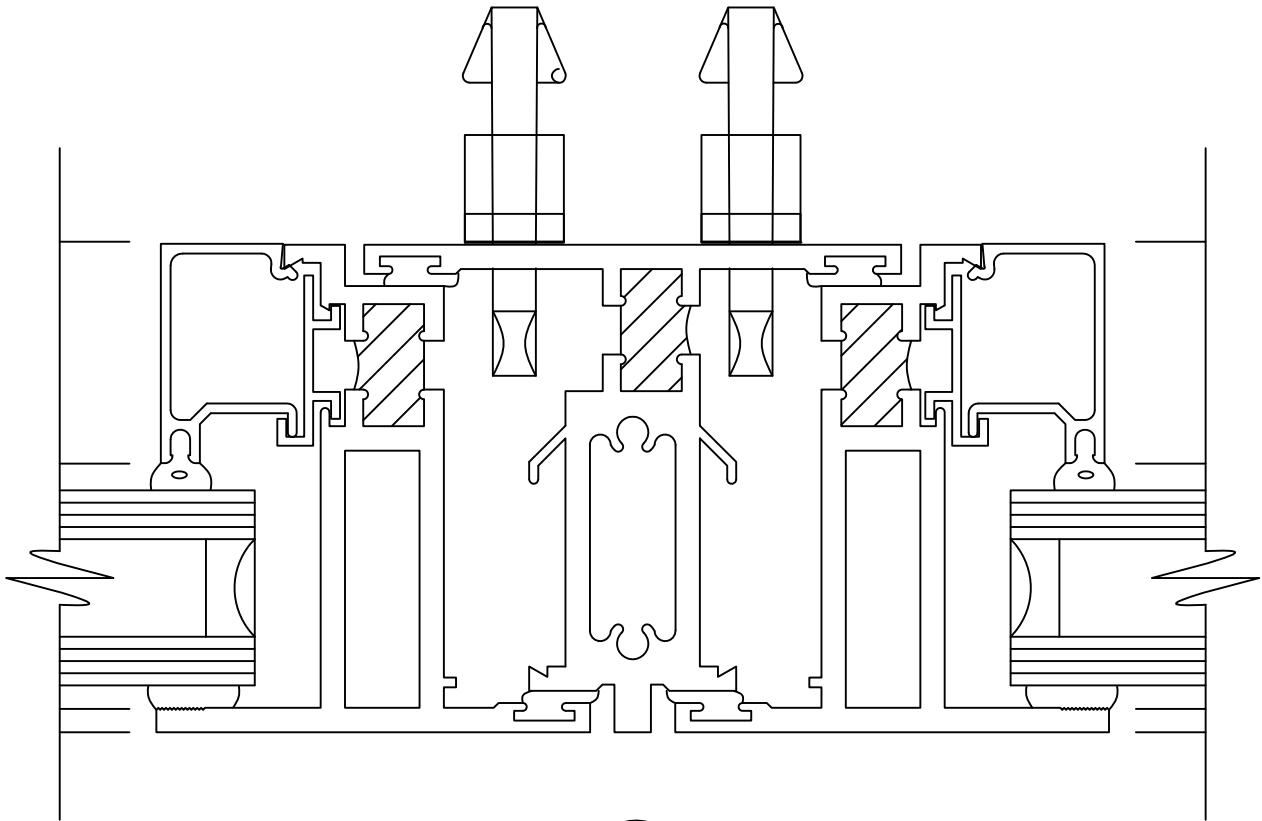


# PORTAL INC.

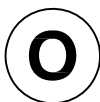
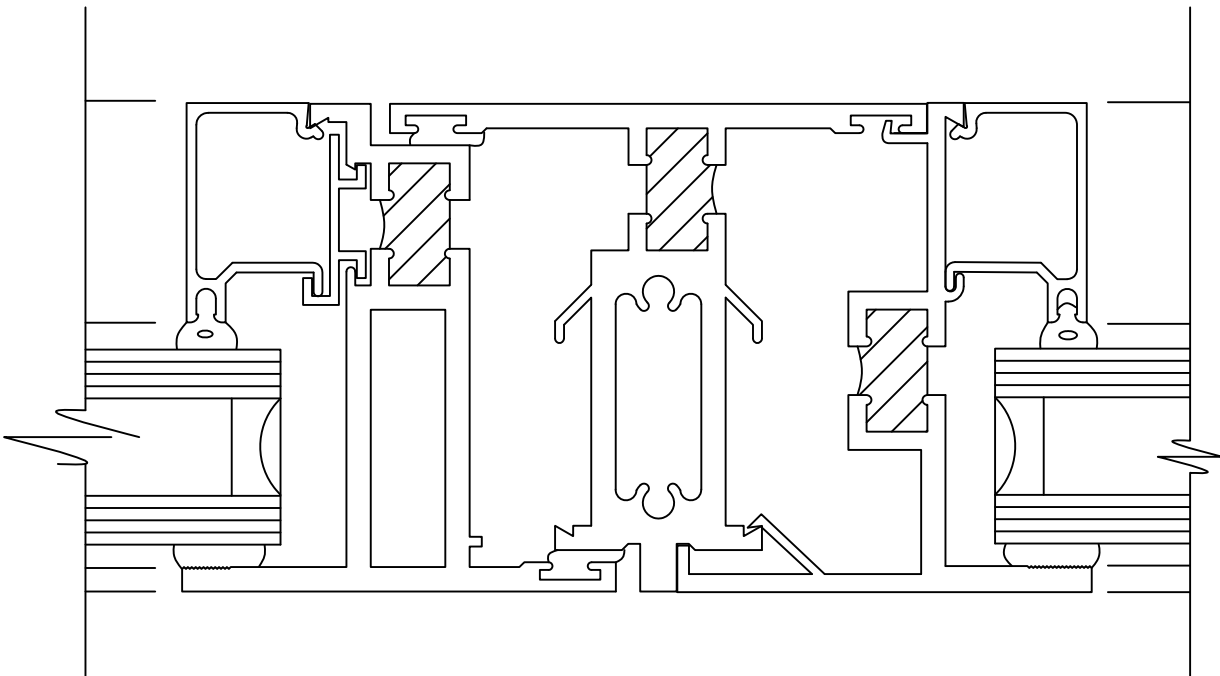
10 TRACY DRIVE- AVON, MA. 02322

SERIES  
250TB  
full size details

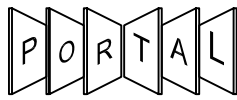
## CASEMENT WINDOWS



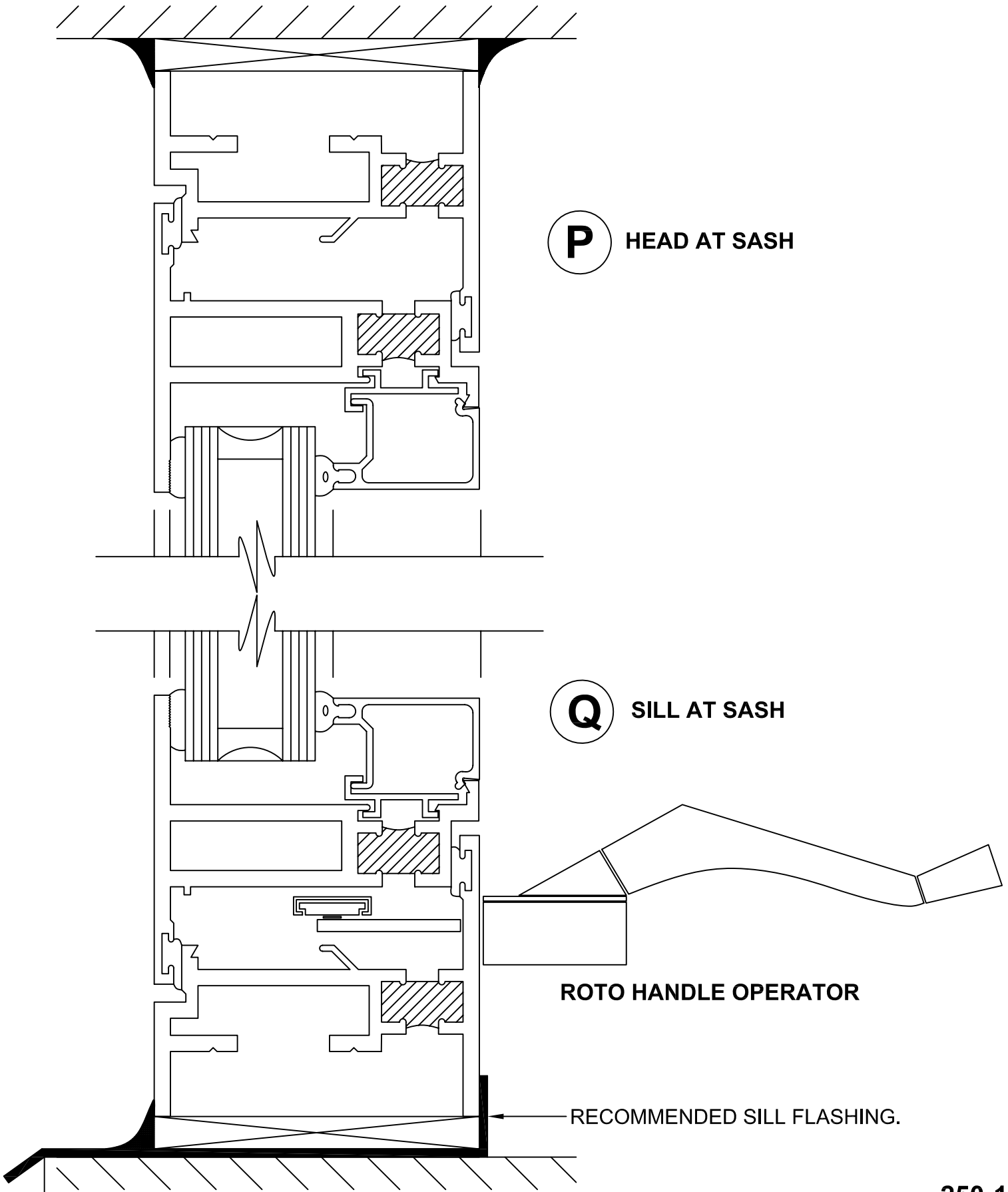
MULLION BETWEEN SASHES



MULLION AT SASH  
& FIXED LITE



**CASEMENT WINDOWS**

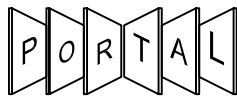


**P** HEAD AT SASH

**Q** SILL AT SASH

**ROTO HANDLE OPERATOR**

RECOMMENDED SILL FLASHING.



**CASEMENT WINDOWS**

