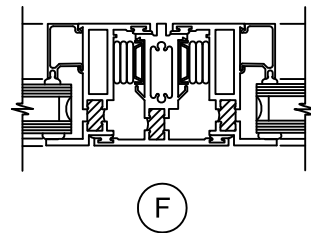
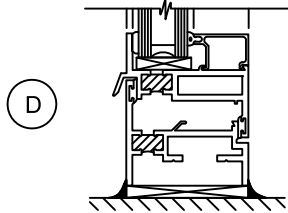
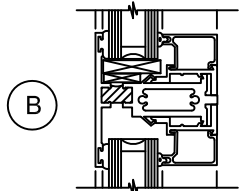
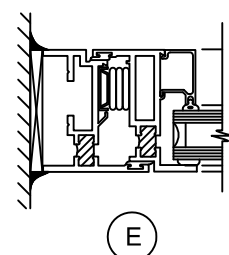
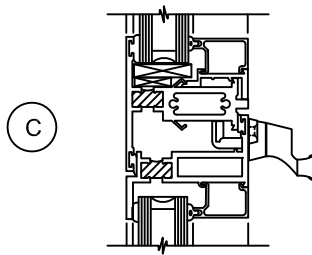
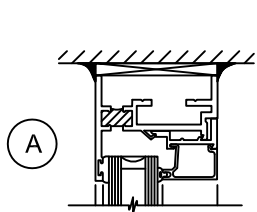
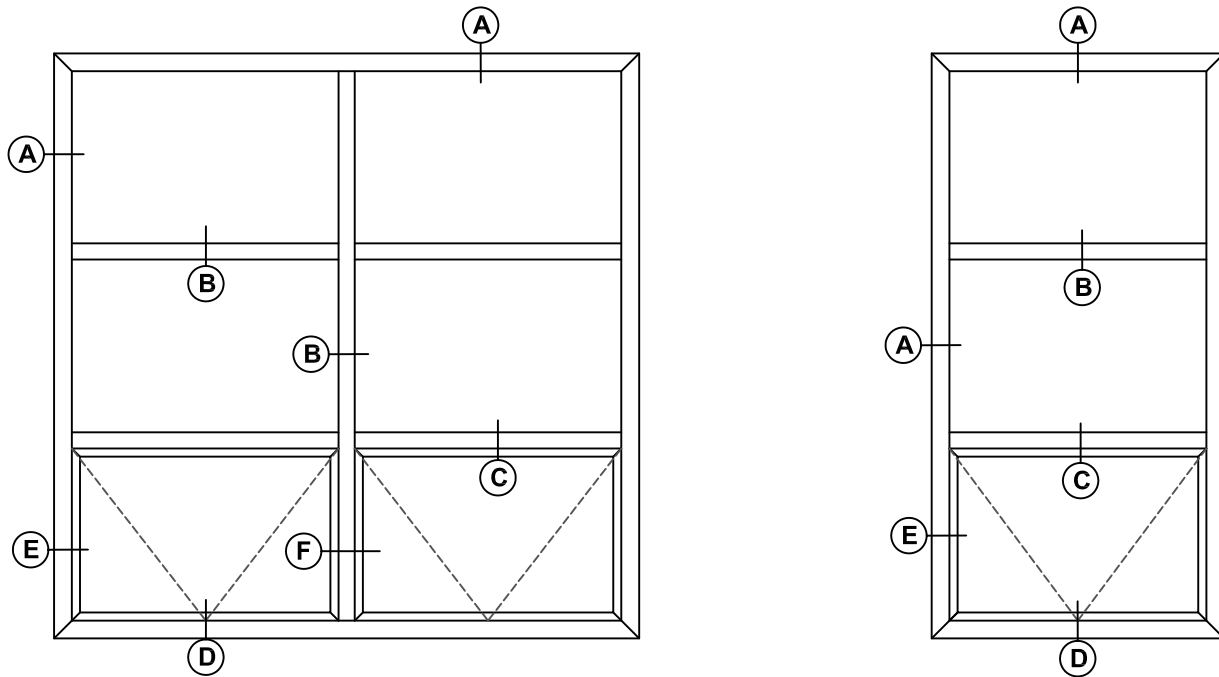
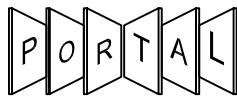


PROJECT-IN WINDOWS



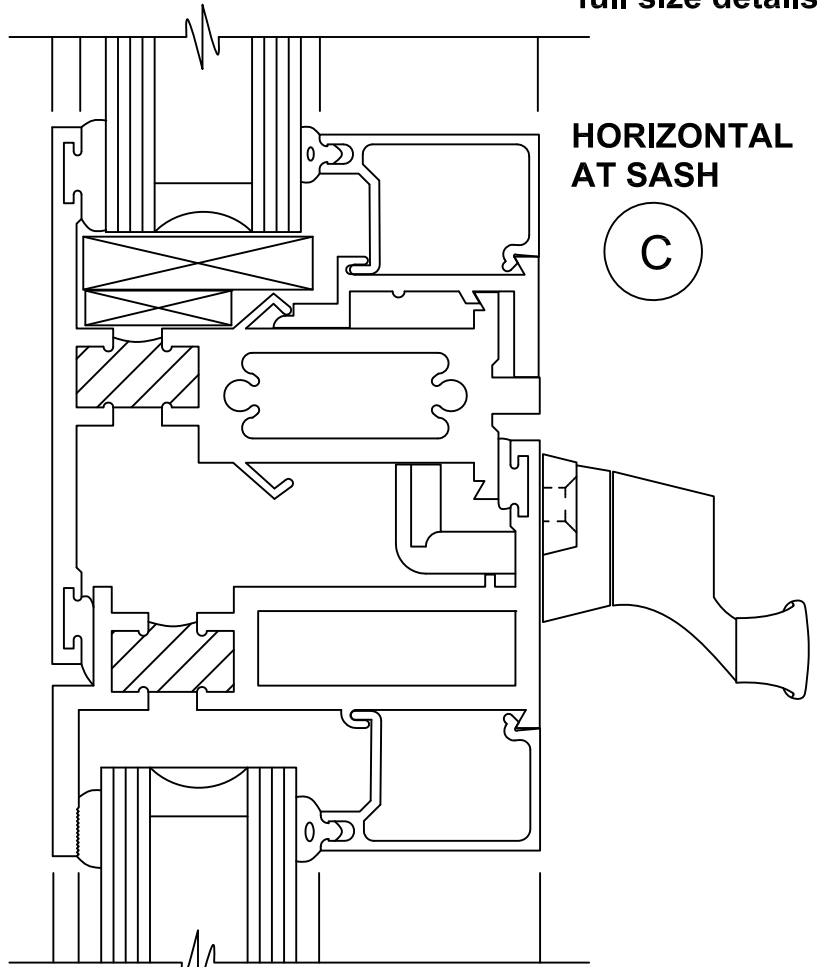
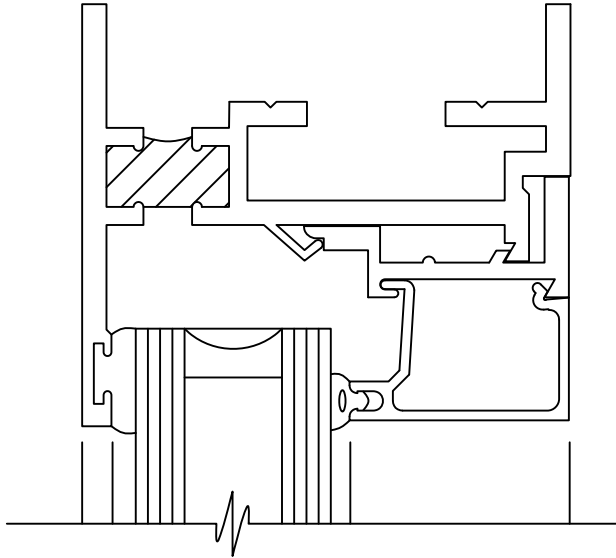


PORTAL INC.

10 TRACY DRIVE- AVON, MA. 02322

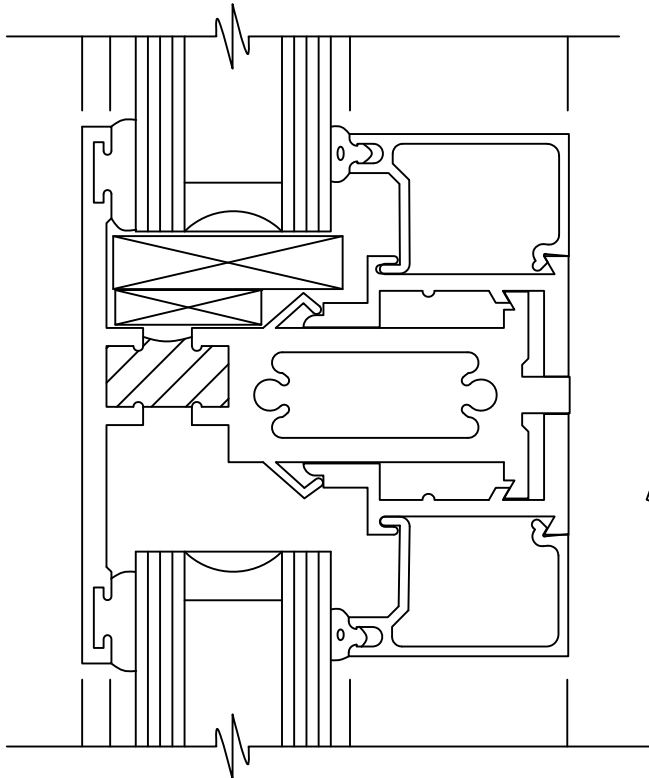
SERIES
250TB
full size details

A HEAD / JAMB AT
FIXED LITE.

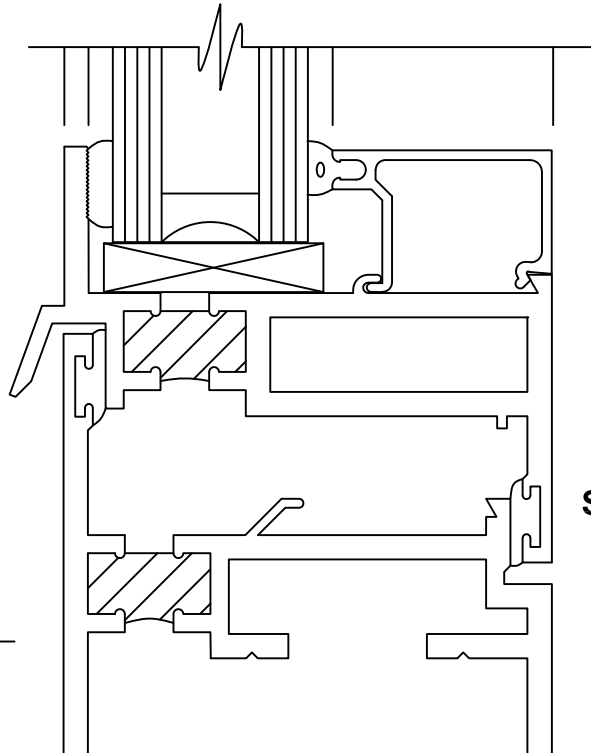


**HORIZONTAL
AT SASH**

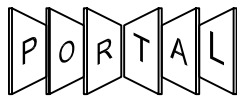
C



B HORIZONTAL /
VERTICAL AT
FIXED LITE.

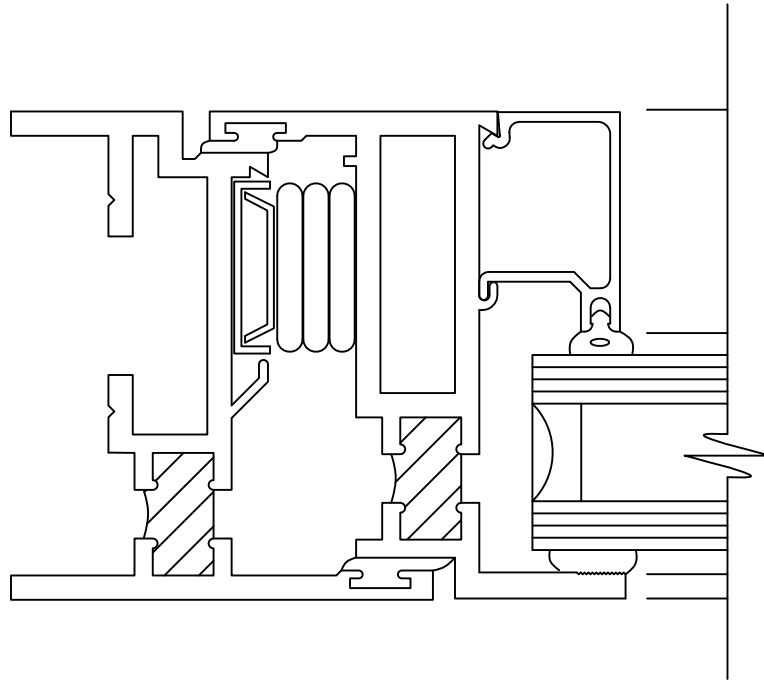


D
SILL AT SASH



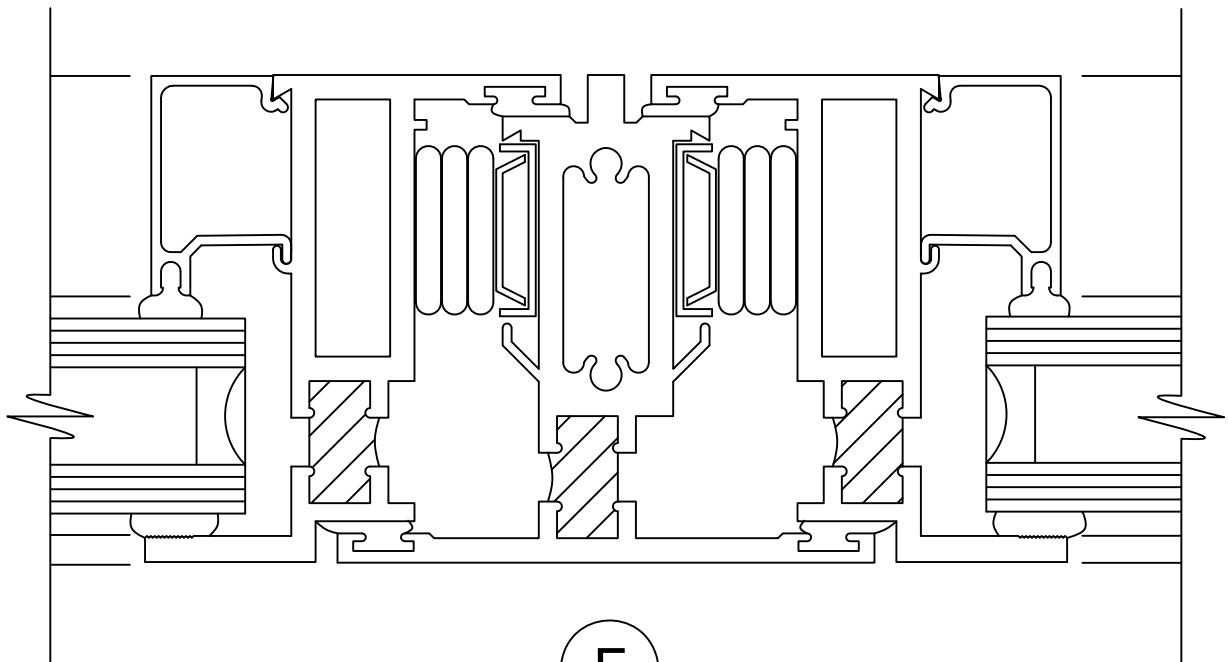
PORTAL INC.
10 TRACY DRIVE- AVON, MA. 02322

SERIES
250TB
full size details



E

JAMB AT SASH



F

MULLION BETWEEN SASHES