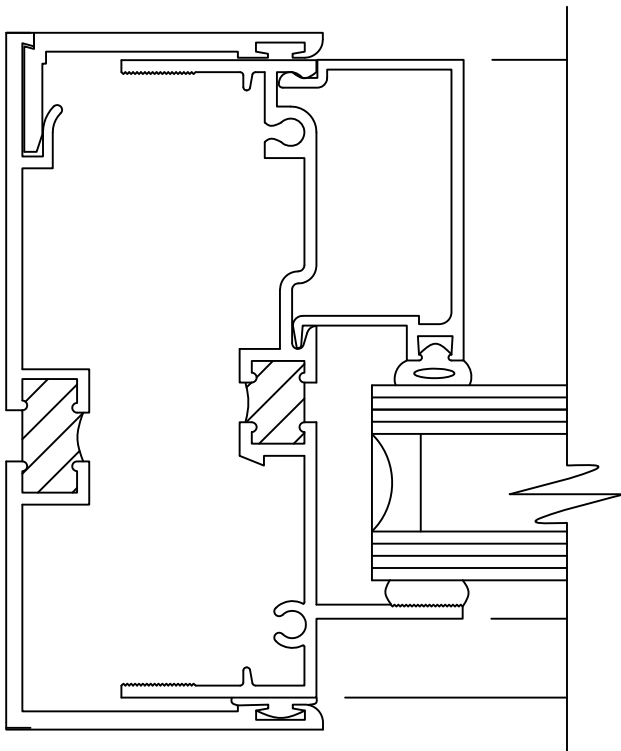
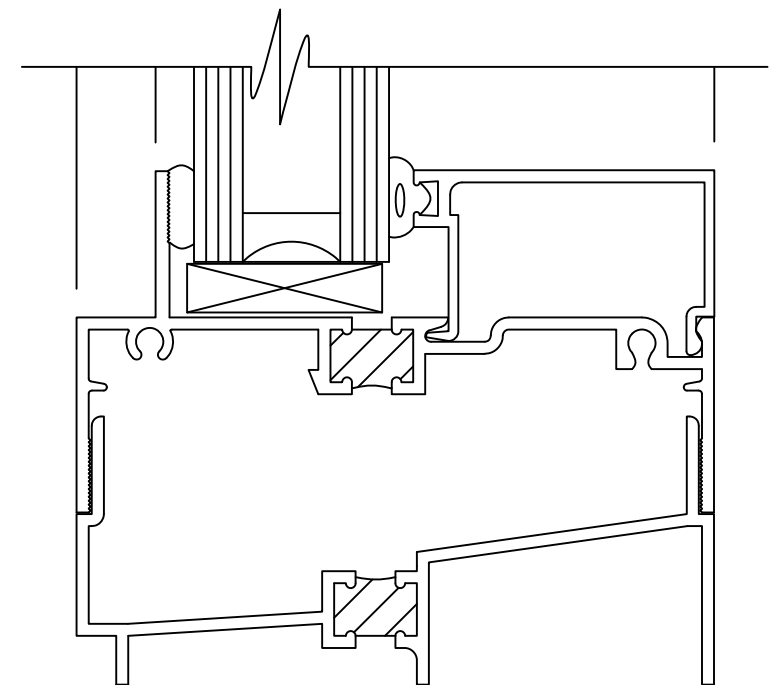
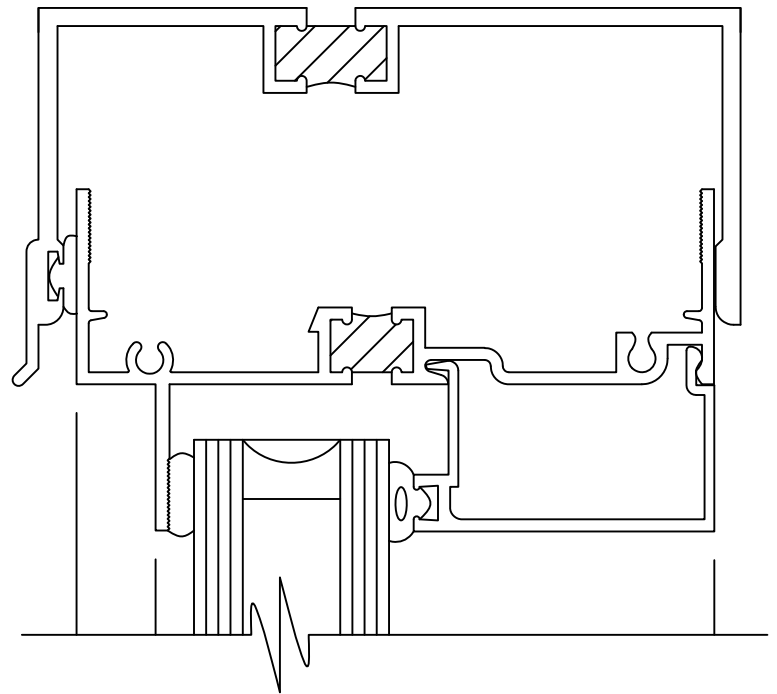




N RECEPTOR HEAD



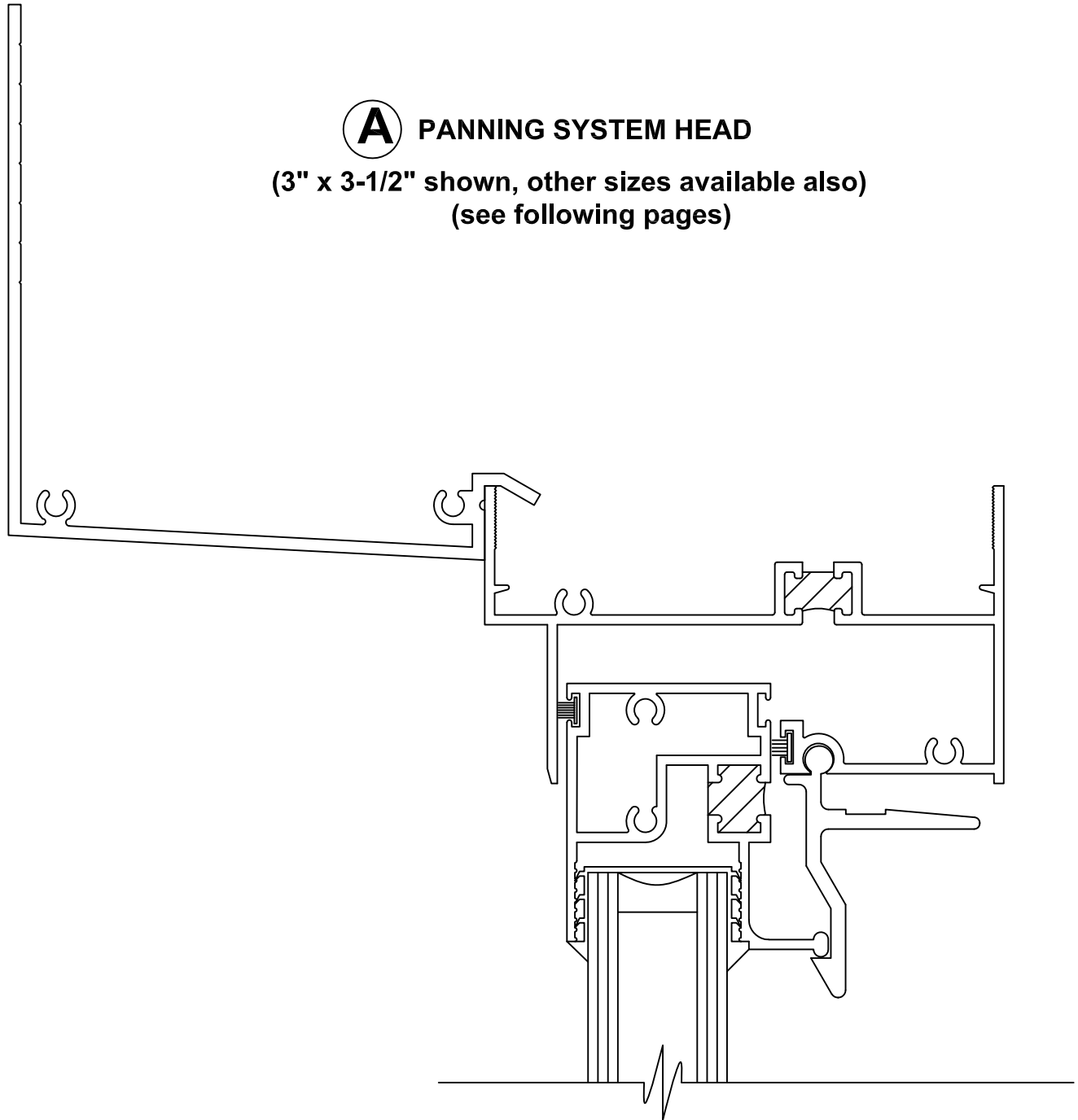
P RECEPTOR JAMB

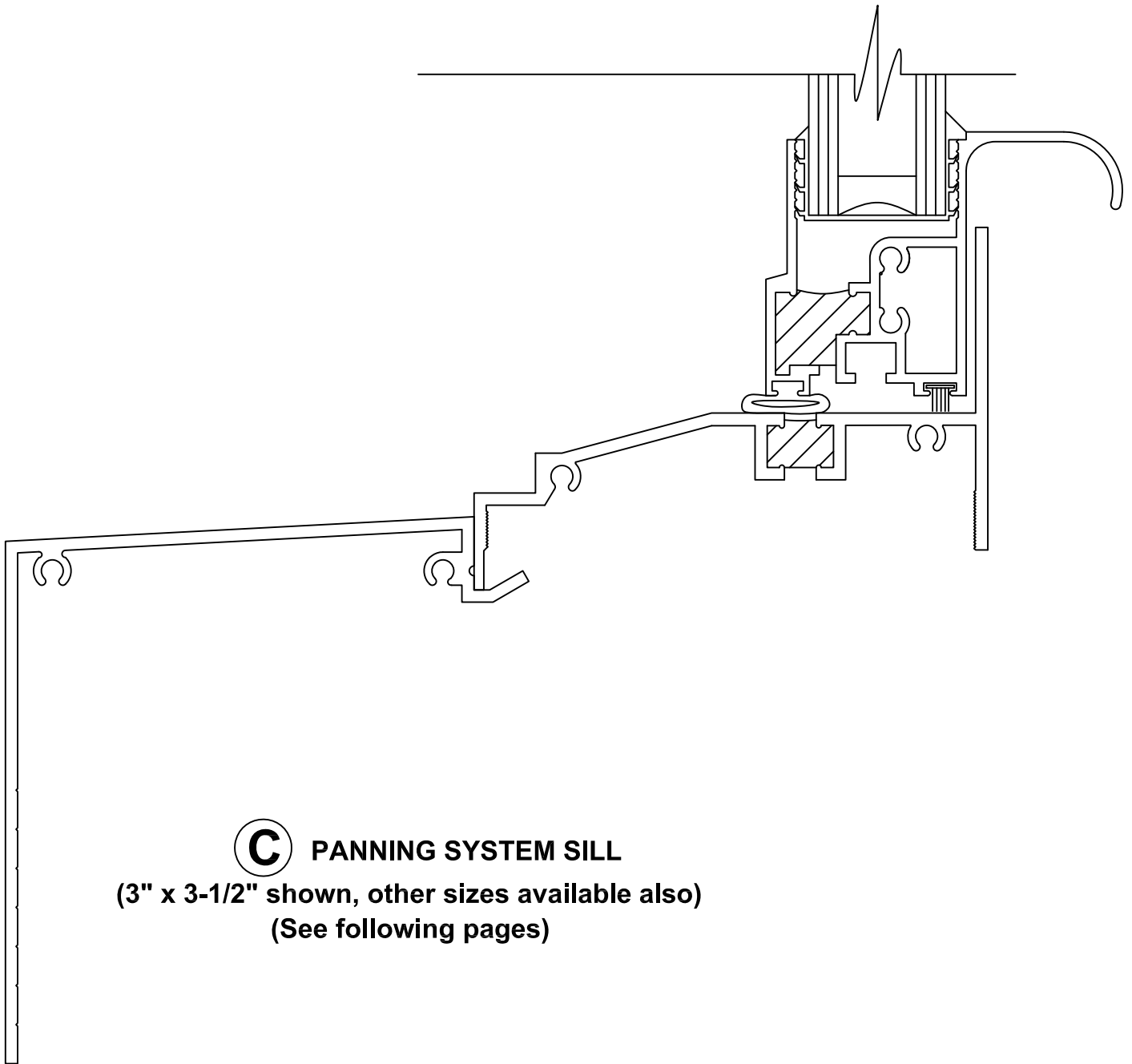
O SILL STARTER



A PANNING SYSTEM HEAD

(3" x 3-1/2" shown, other sizes available also)
(see following pages)





Ⓒ PANNING SYSTEM SILL

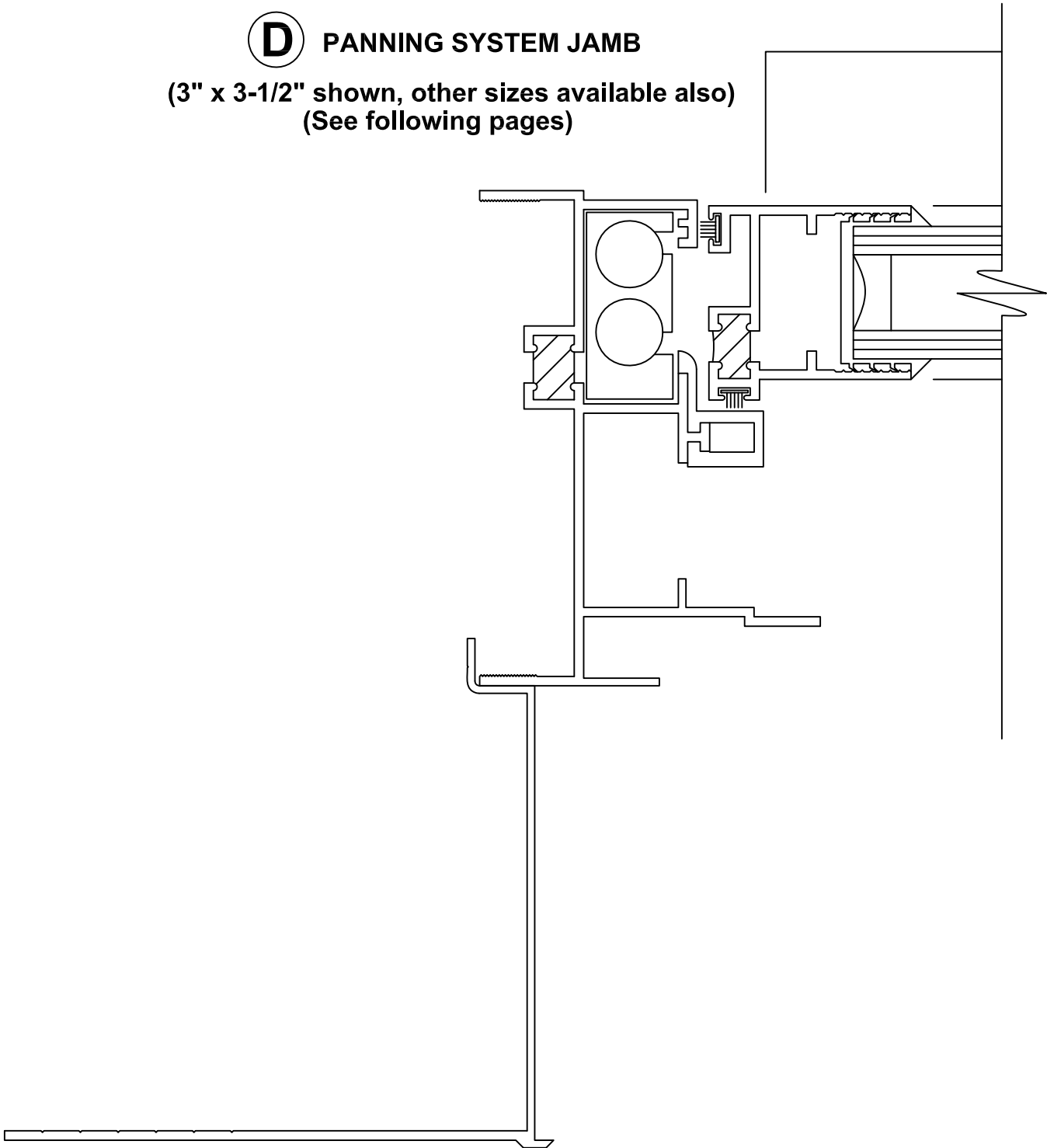
(3" x 3-1/2" shown, other sizes available also)

(See following pages)



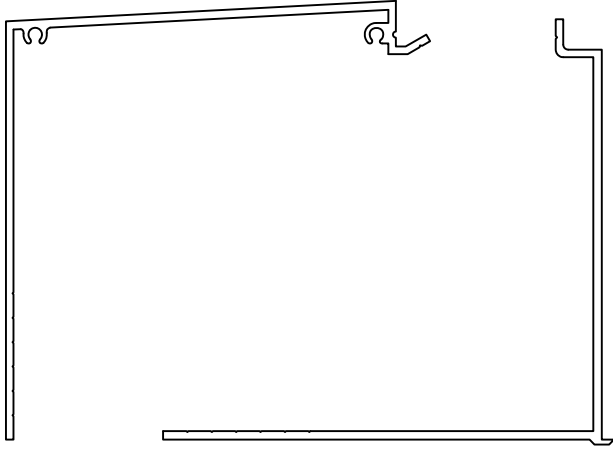
D PANNING SYSTEM JAMB

(3" x 3-1/2" shown, other sizes available also)
(See following pages)

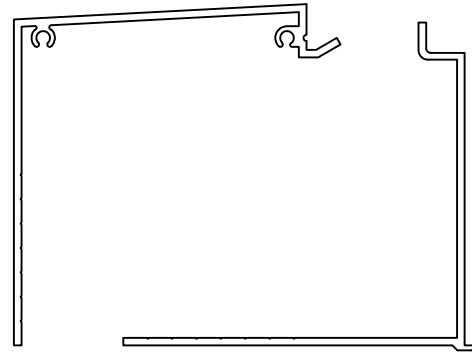




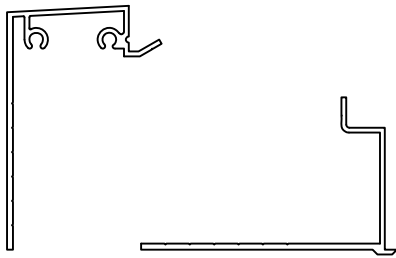
#325TB Series Panning & Trim options



4" x 4-1/2" SQUARE PANNING



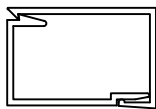
3" X 3-1/2" SQUARE PANNING



1-1/4" x 2-1/2" SQUARE PANNING



3" COLONIAL PANNING



1" x 1-1/2" INTERIOR TRIM / CLIP

