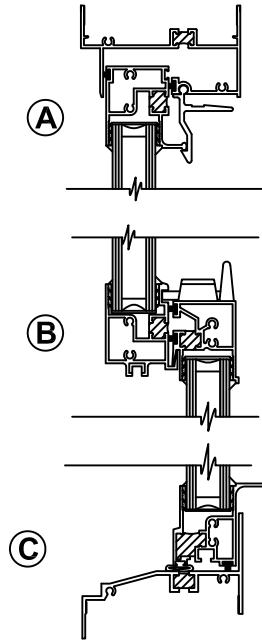
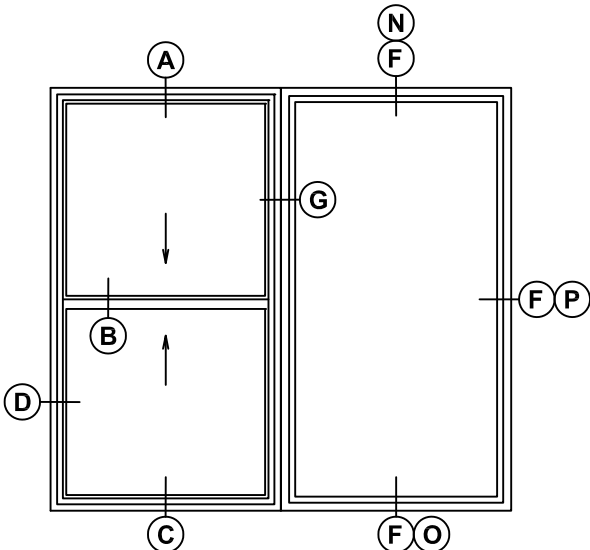
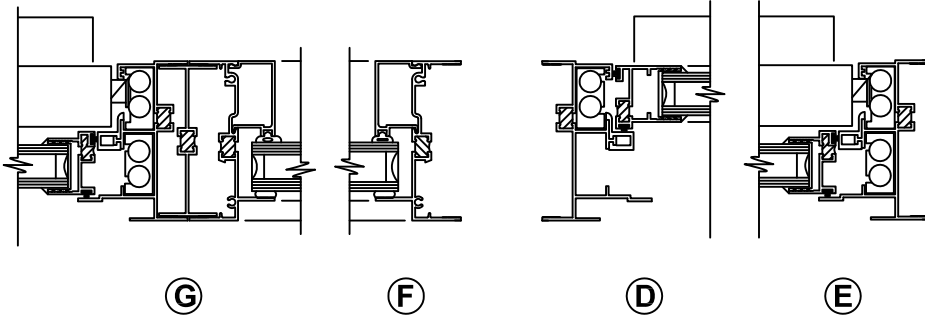
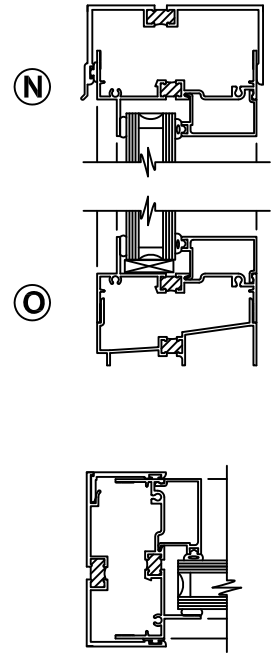


**DOUBLE HUNG**

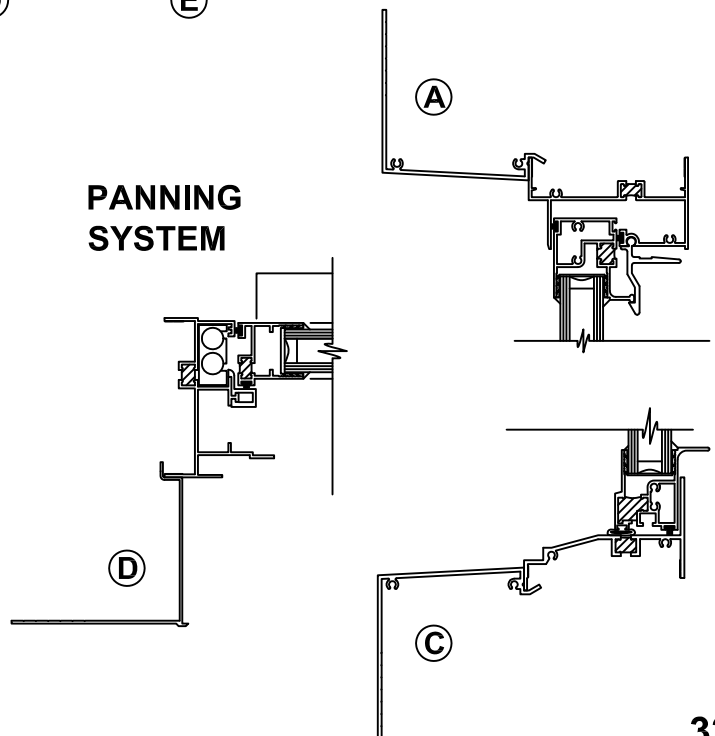


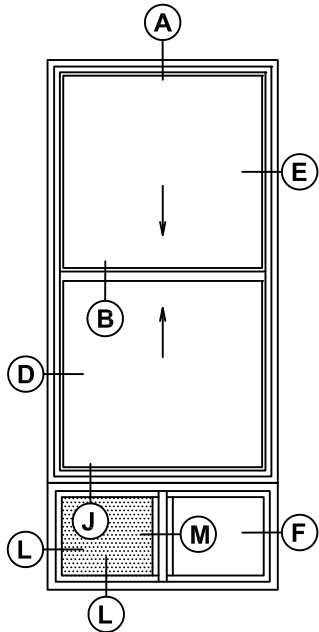
**RECEPTOR SYSTEM**



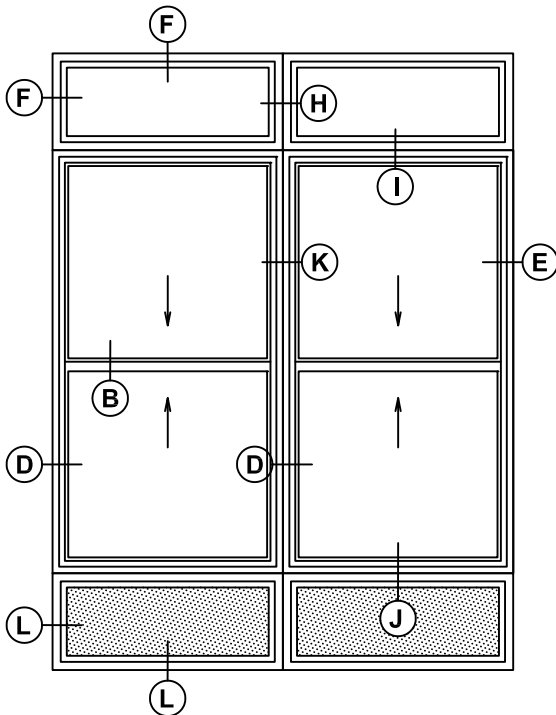
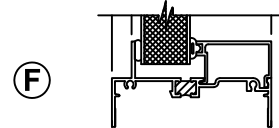
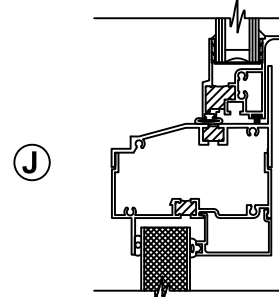
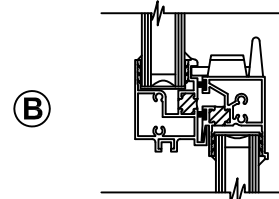
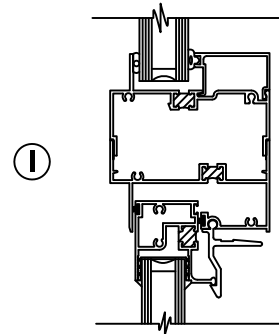
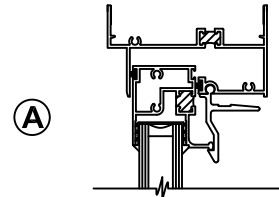
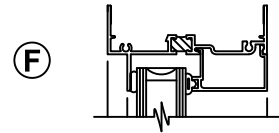
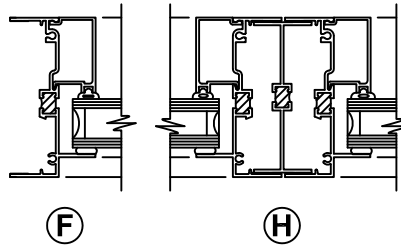
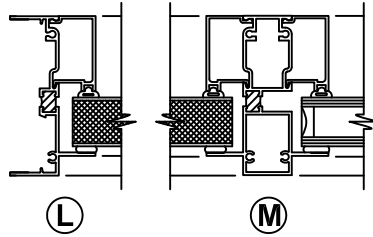
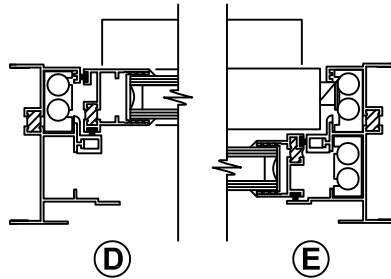
**DOUBLE HUNG / FIXED SIDELITE**

**PANNING SYSTEM**

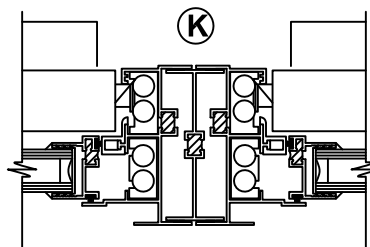




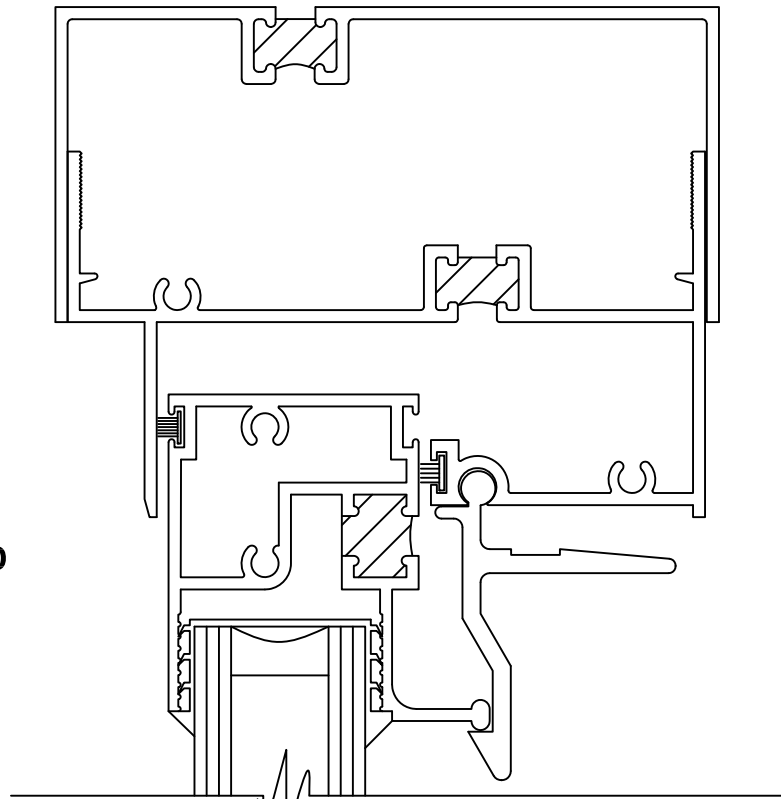
**DOUBLE HUNG  
OVER FIXED WITH  
TUBE MULLION**



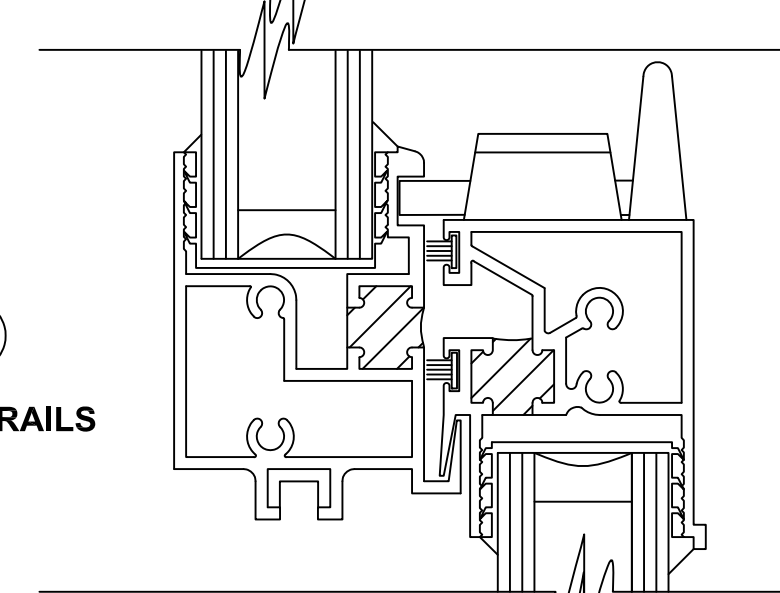
**DOUBLE HUNG MULLED  
TOGETHER WITH PANEL  
AND FIXED LITE.**



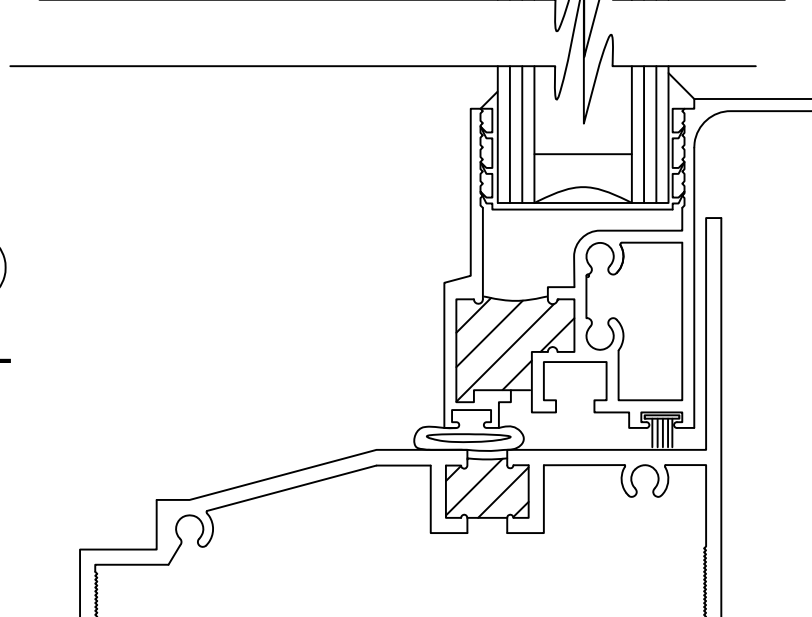
**A**  
HEAD



**B**  
MEETING RAILS

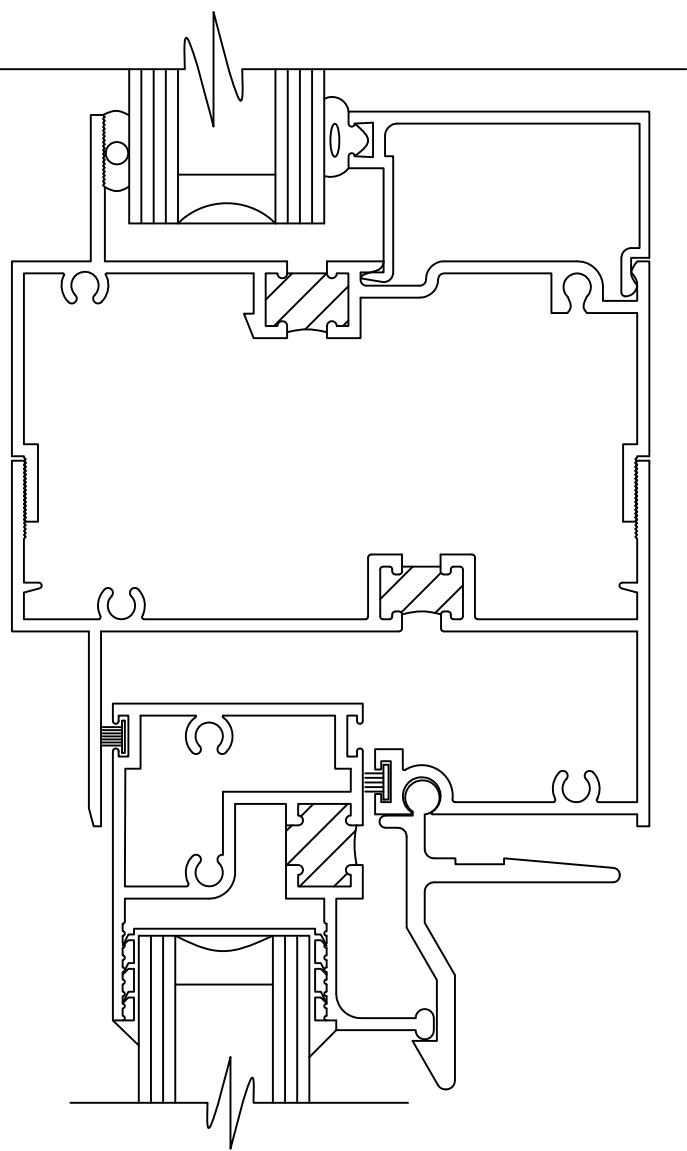


**C**  
SILL



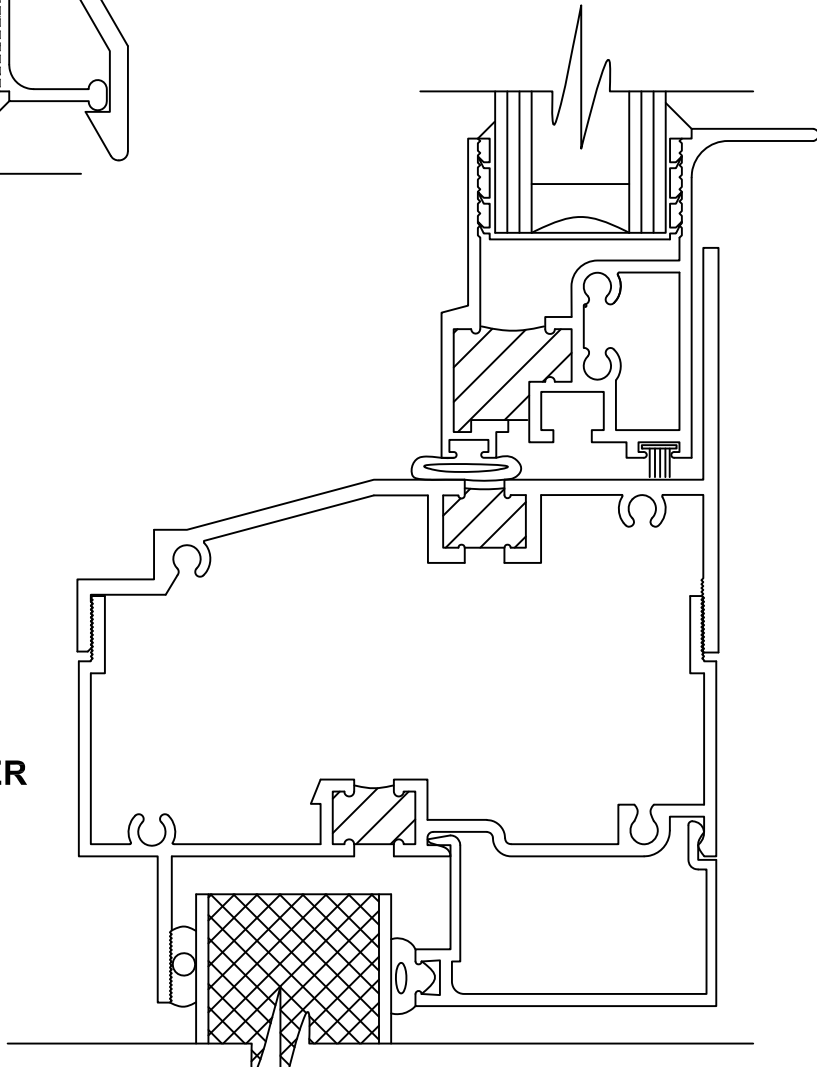
**HORIZONTAL  
FIXED LITE OVER  
DOUBLE HUNG**

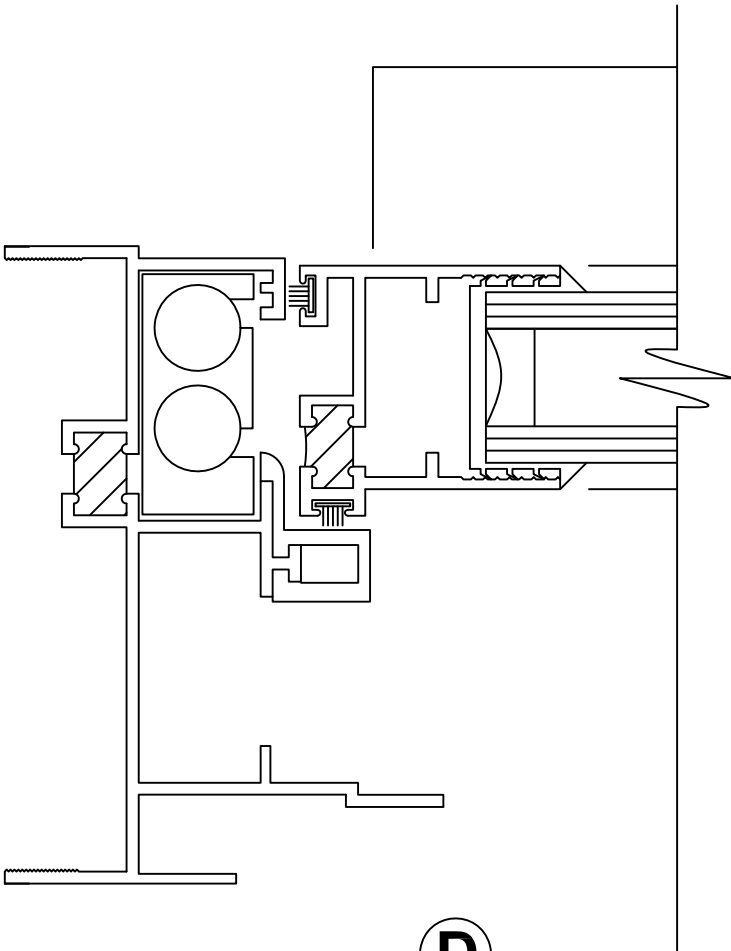
**I**



**J**

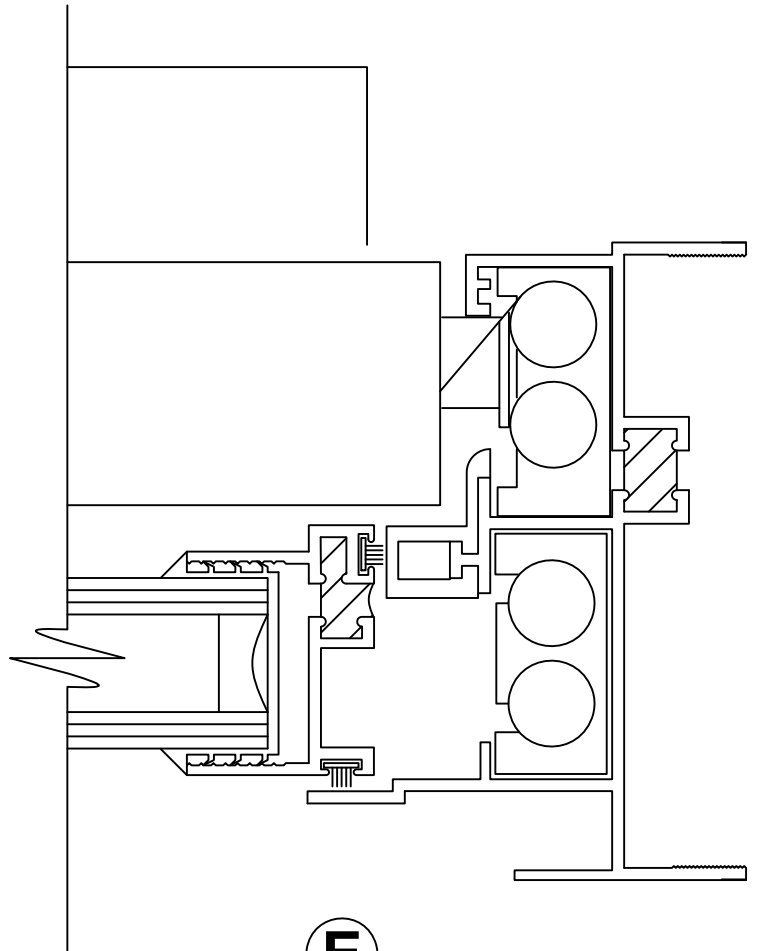
**HORIZONTAL  
DOUBLE HUNG OVER  
FIXED PANEL**





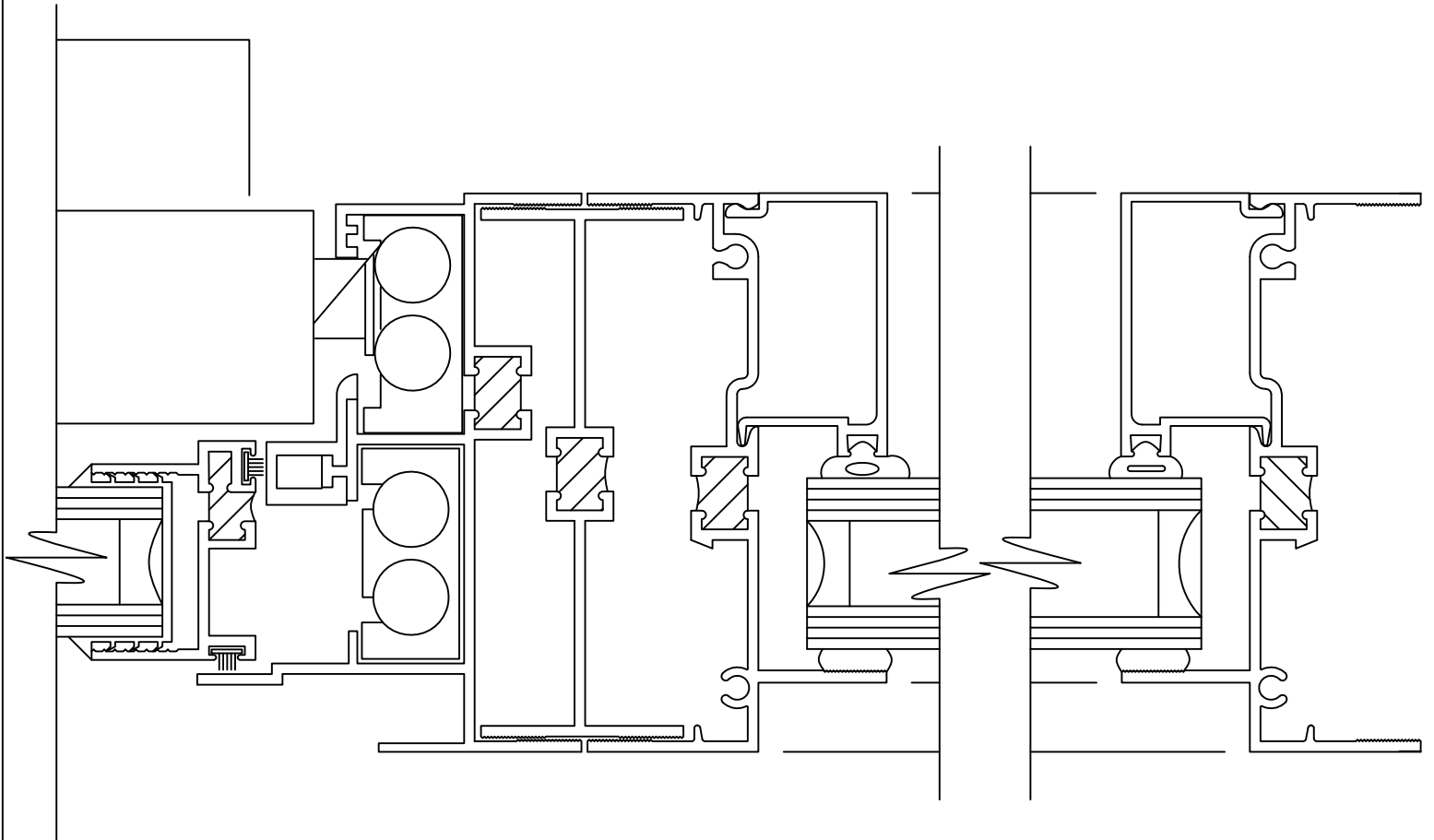
**D**

**DOUBLE HUNG LEFT JAMB**



**E**

**DOUBLE HUNG RIGHT JAMB**



**G**

**MULLION  
DOUBLE HUNG TO FIXED LITE**

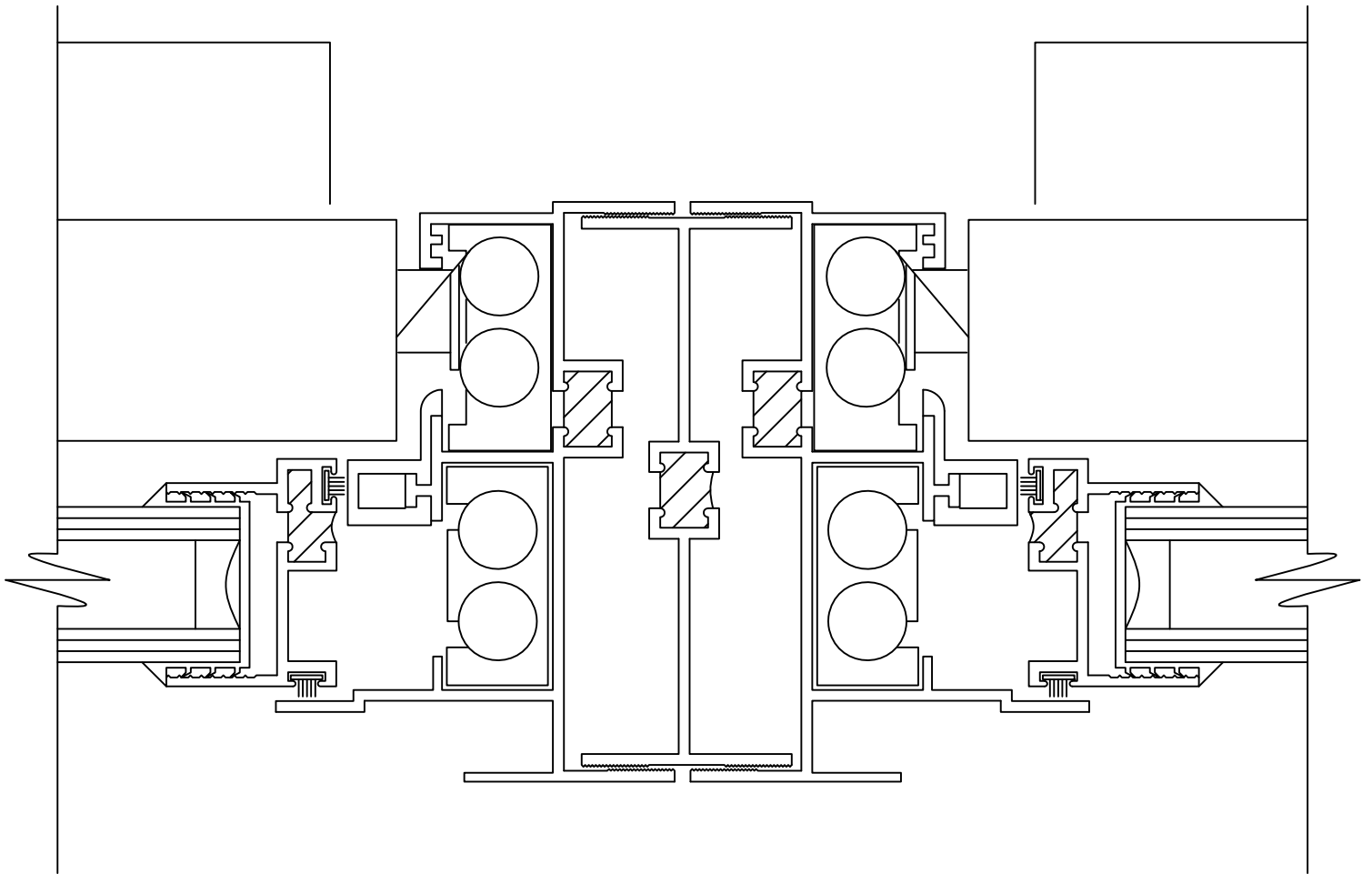
**F**

**JAMB  
FIXED LITE**



**PORTAL INC.**  
10 TRACY DRIVE- AVON, MA. 02322

**SERIES**  
325TB-DH  
**full size details**



**K**

**MULLION DOUBLE HUNG TO DOUBLE HUNG**