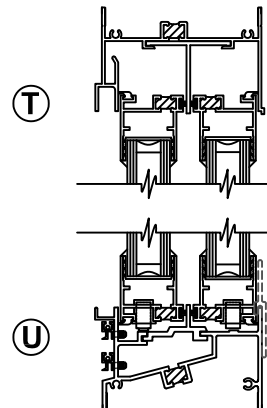
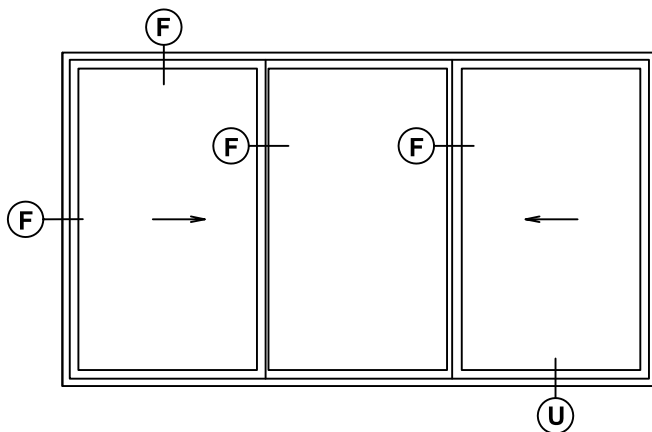
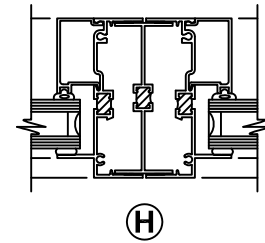
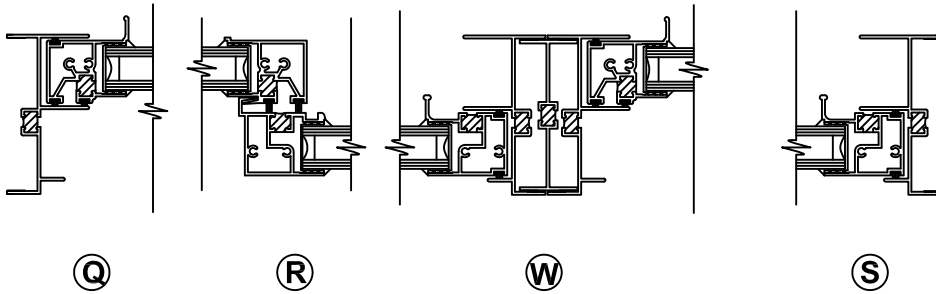
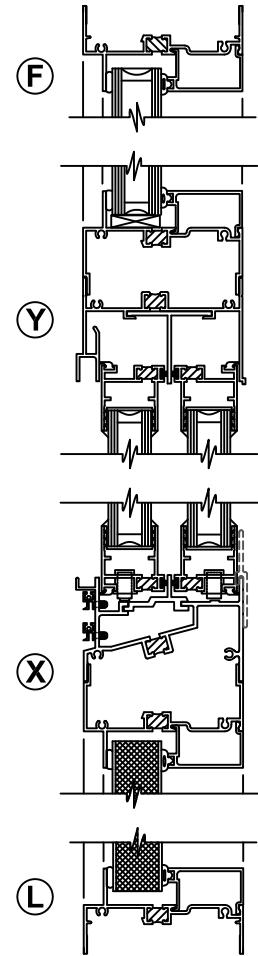
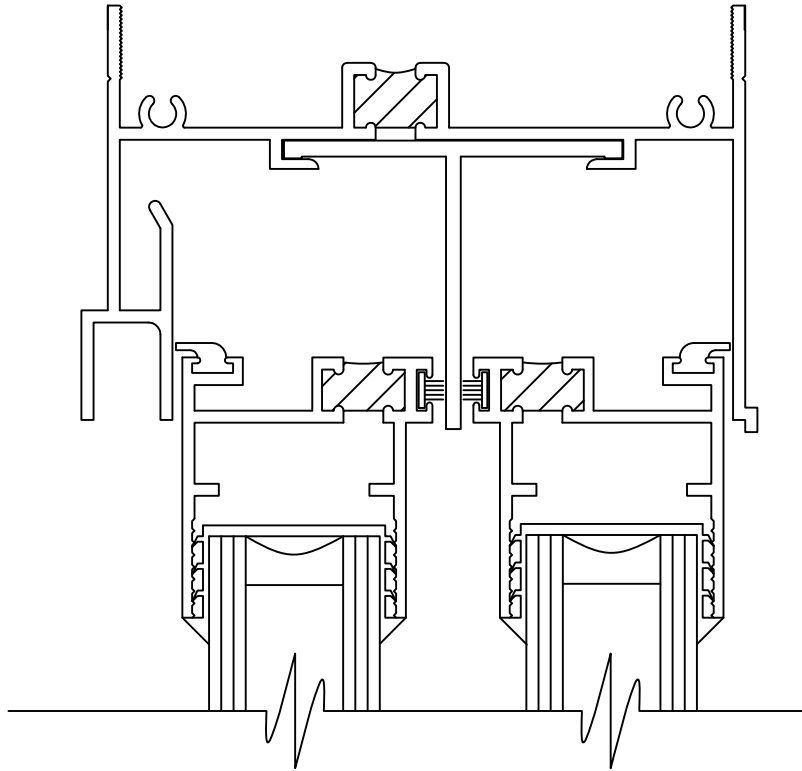
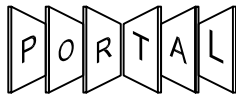


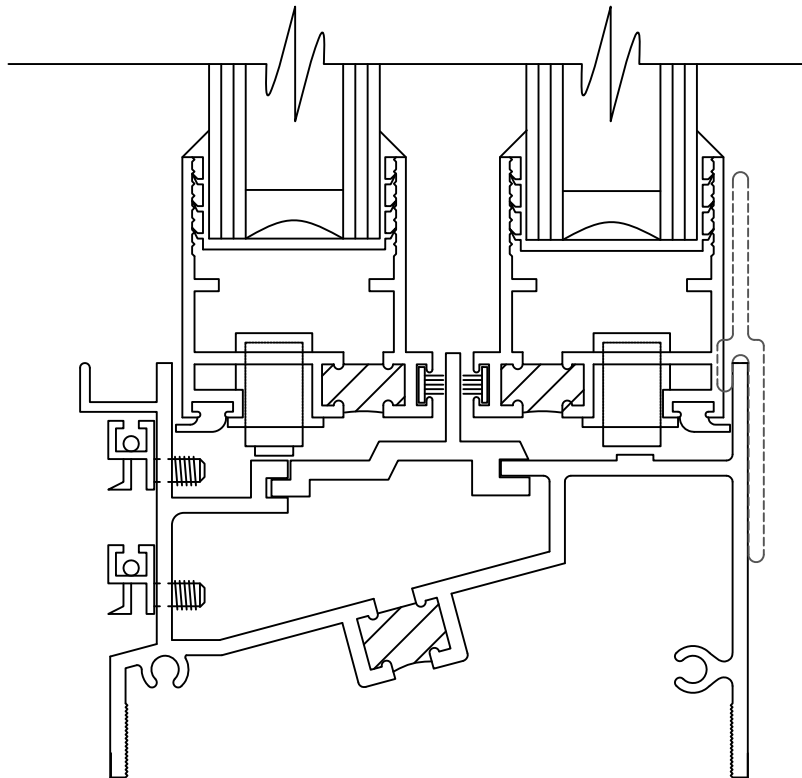
**SLIDER MULLED TOGETHER WITH PANEL AND FIXED LITE.**



**PICTURE FLANKER SLIDER**



**T** HEAD

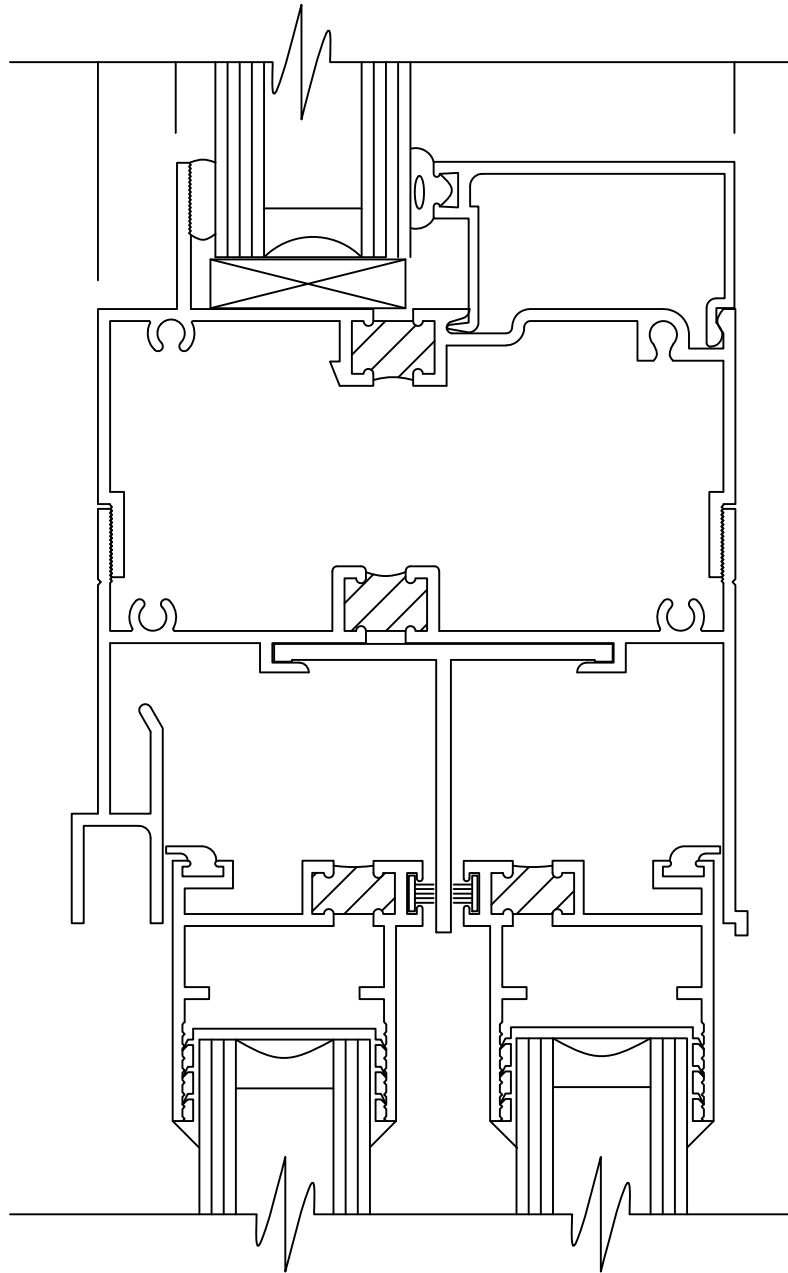


**U** SILL



**PORTAL INC.**  
10 TRACY DRIVE- AVON, MA. 02322

**SERIES**  
325TB-HS  
**full size details**

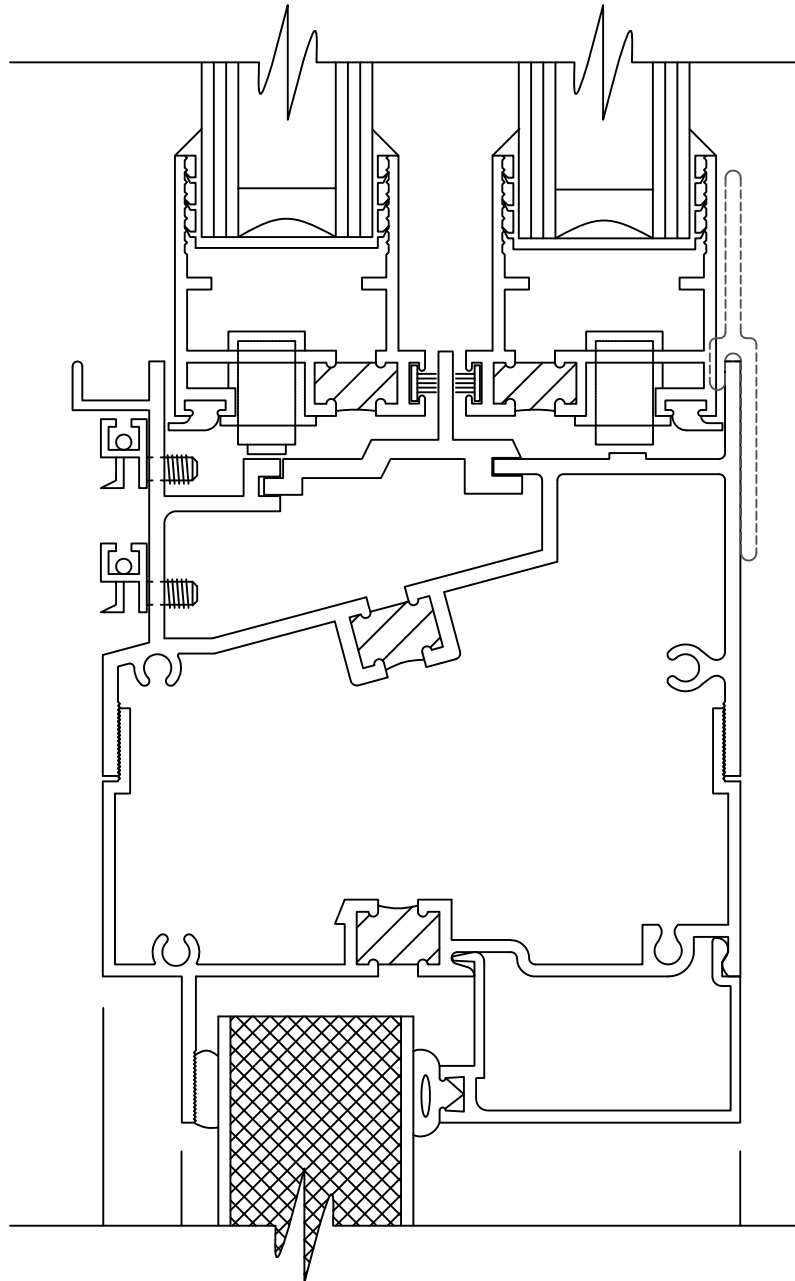


**HORIZONTAL FIXED OVER SLIDER**



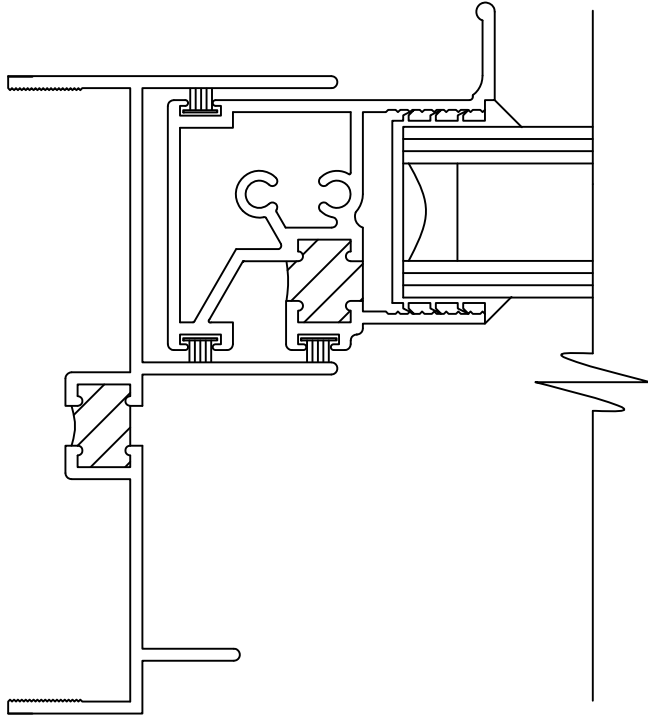
**PORTAL INC.**  
10 TRACY DRIVE- AVON, MA. 02322

**SERIES**  
**325TB-HS**  
**full size details**

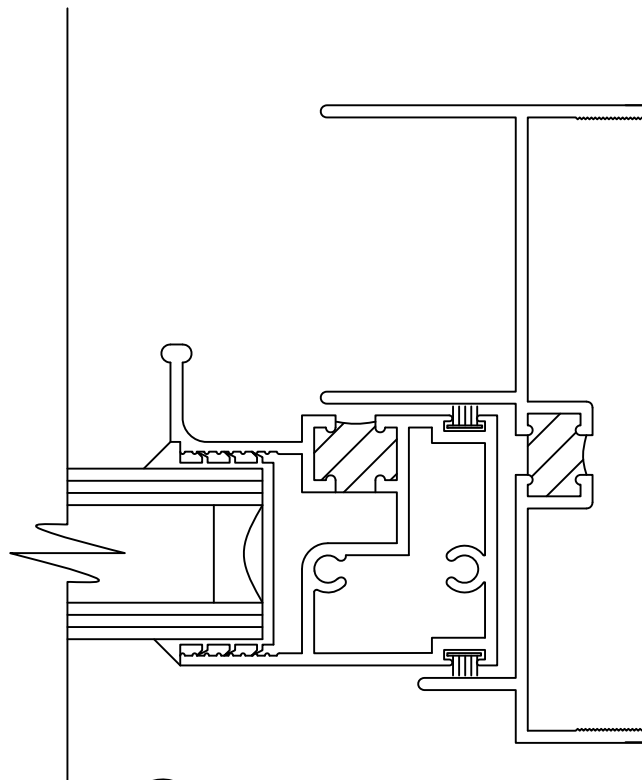
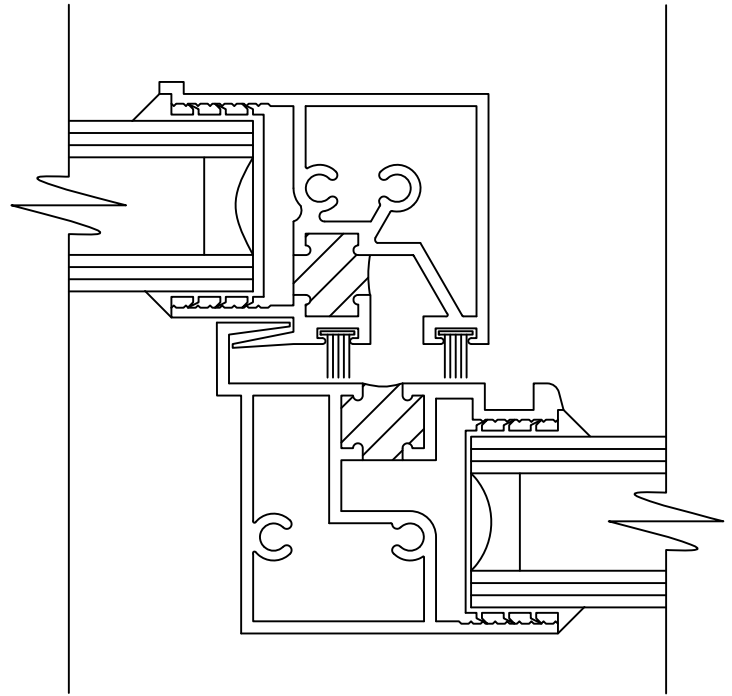


**X** HORIZONTAL SLIDER OVER FIXED PANEL

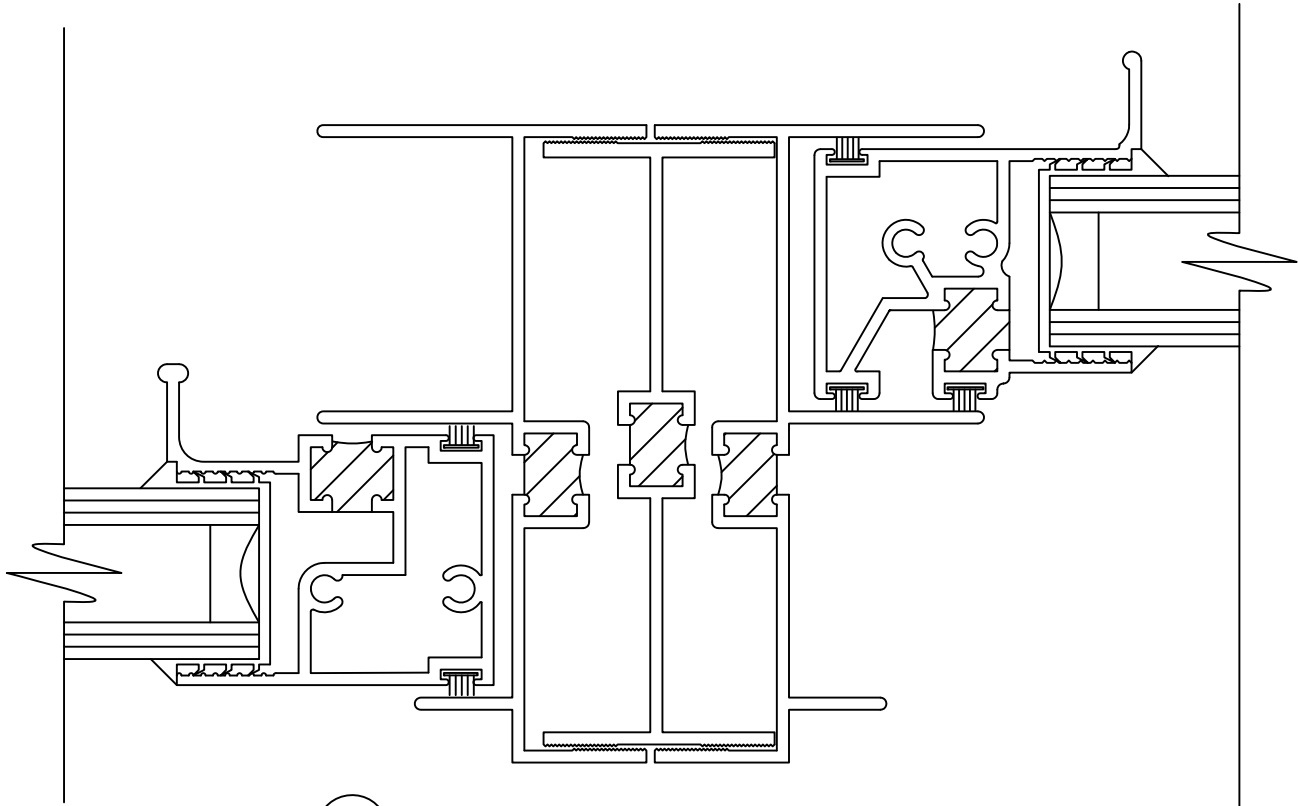
**Q** LEFT JAMB



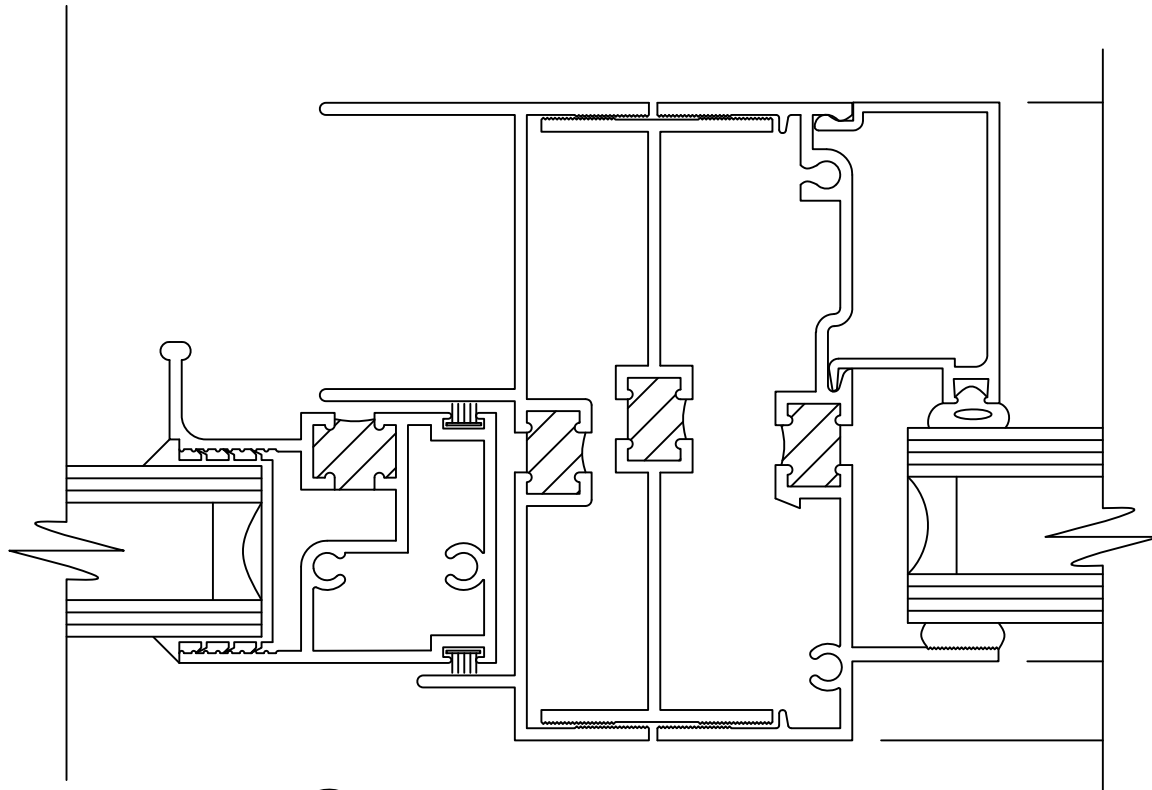
**R** MEETING INTERLOCK



**S** RIGHT JAMB



**W** MULLION SLIDER TO SLIDER



**V** MULLION SLIDER TO FIXED LITE