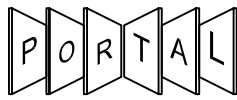
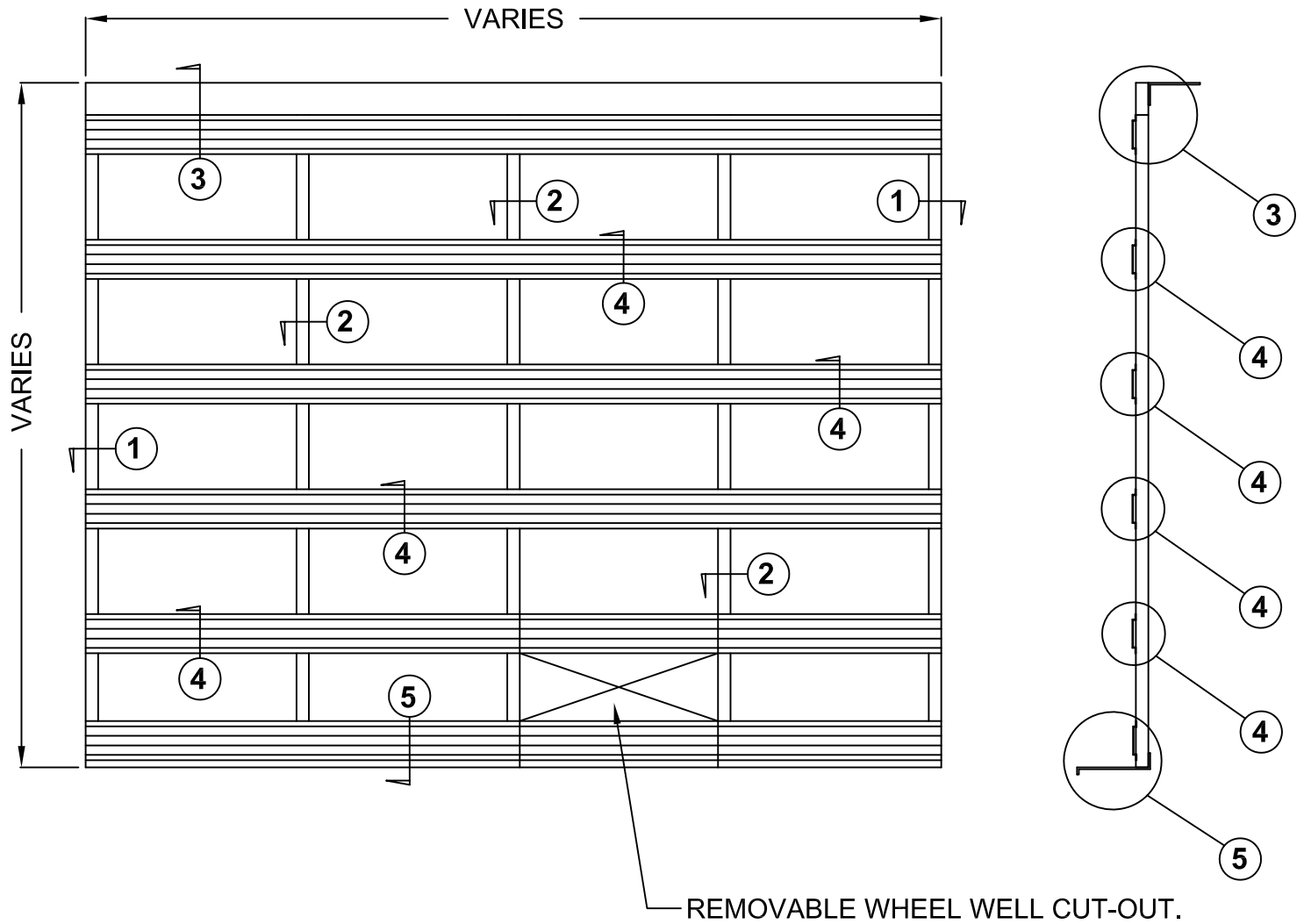


CUSTOM GLASS RACKS

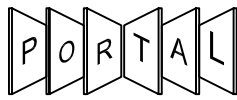
| | |
|----------------------------------|---|
| INDEX..... | 1 |
| ELEVATION AND CROSS SECTION..... | 2 |
| VERTICAL SECTION..... | 3 |
| TOP SECTION..... | 4 |
| STAKE AND GLASS HOLDERS..... | 5 |
| LEDGE BASE SECTION..... | 6 |



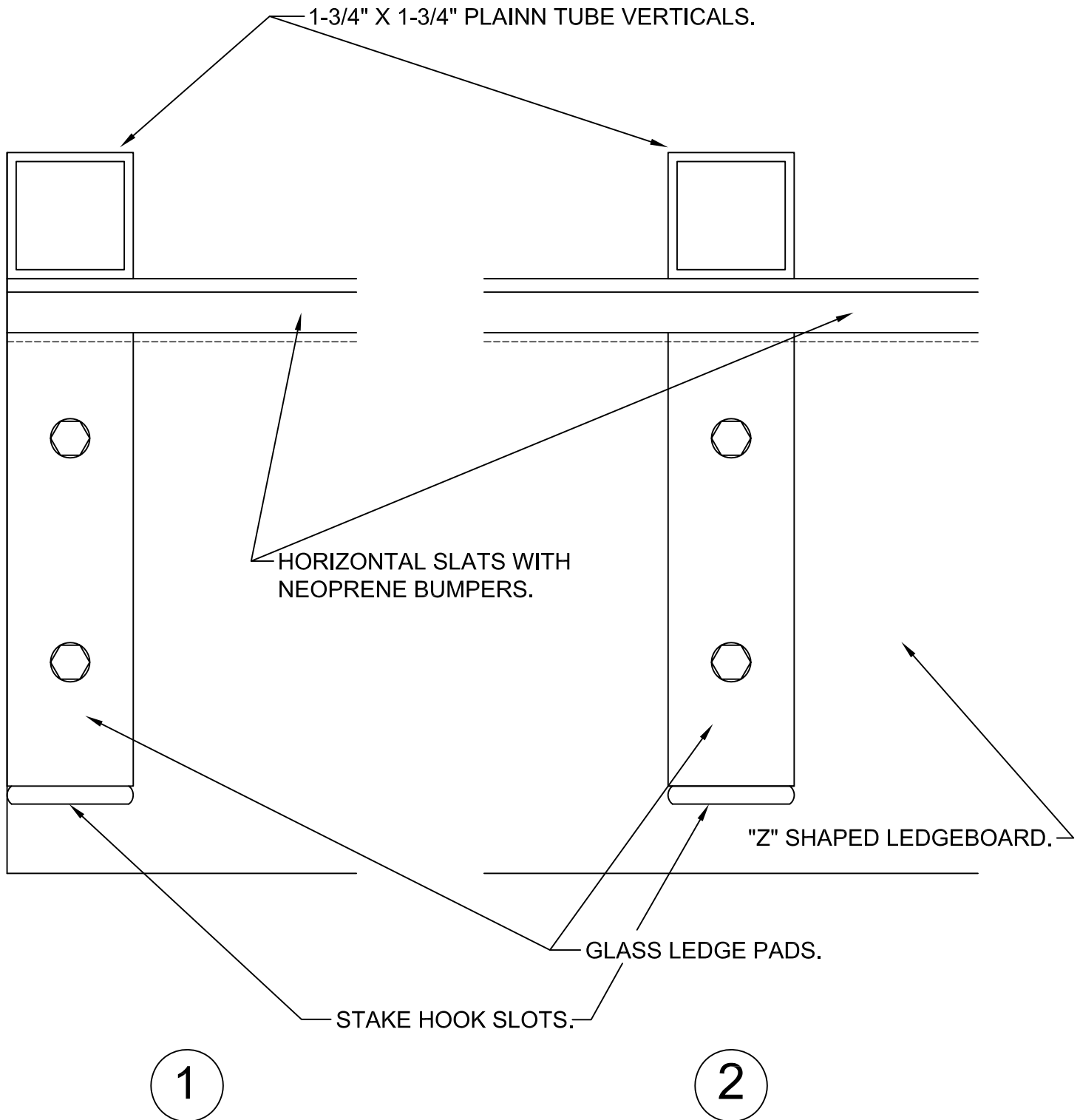
CUSTOM GLASS RACKS



NOTE: THE LOCATIONS OF WHEEL WELL AND GAS TANK FILLER TO BE MEASURED ON EACH ACTUAL VEHICLE.



CUSTOM GLASS RACKS





PORTAL INC.
10 TRACY DRIVE - AVON, MA. 02322

CUSTOM GLASS RACKS

STAKE WITH ADJUSTABLE
NEOPRENE GLASS HOLDERS.

1-3/4" X 1-3/4" VERTICAL
PLAIN TUBES.

HORIZONTAL SLATS WITH
NEOPRENE BUMPERS.

"Z" SHAPED LEDGEBOARD.

GLASS LEDGE PADS.

BOTTOM STAKE HOOK.

5

PH: 800-966-3030 / www.portalincorporated.com

RACKS-6



PORTAL INC.
10 TRACY DRIVE - AVON, MA. 02322

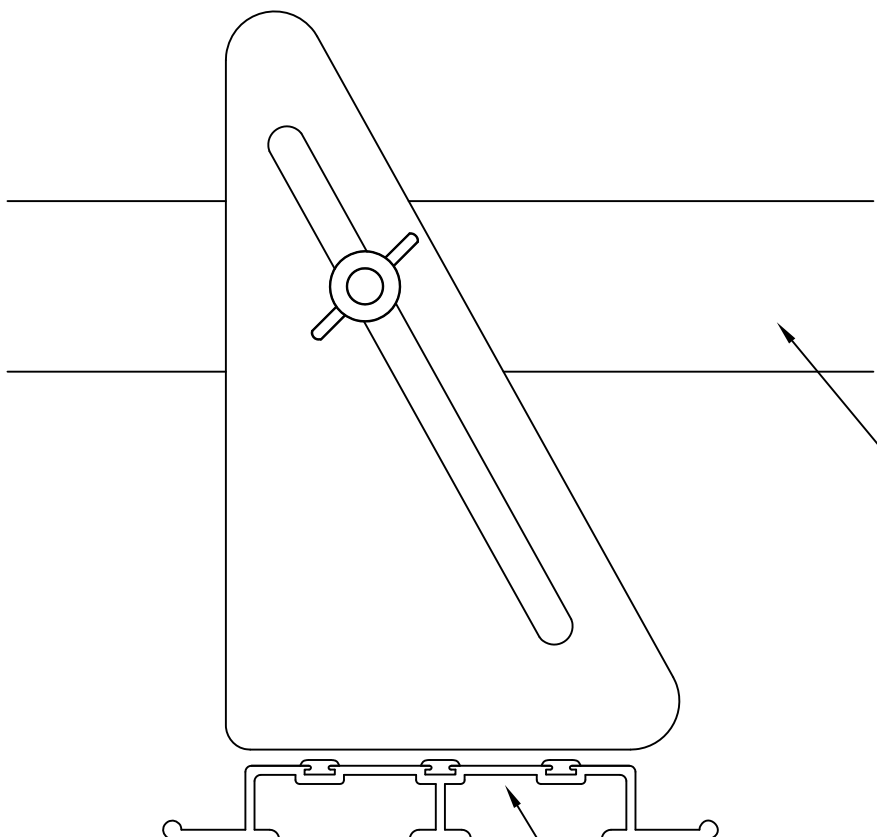
CUSTOM GLASS RACKS

STAKE WITH ADJUSTABLE
NEOPRENE GLASS HOLDERS.

HORIZONTAL SLATS WITH
NEOPRENE BUMPERS.

1-3/4" X 1-3/4" VERTICAL TUBES.

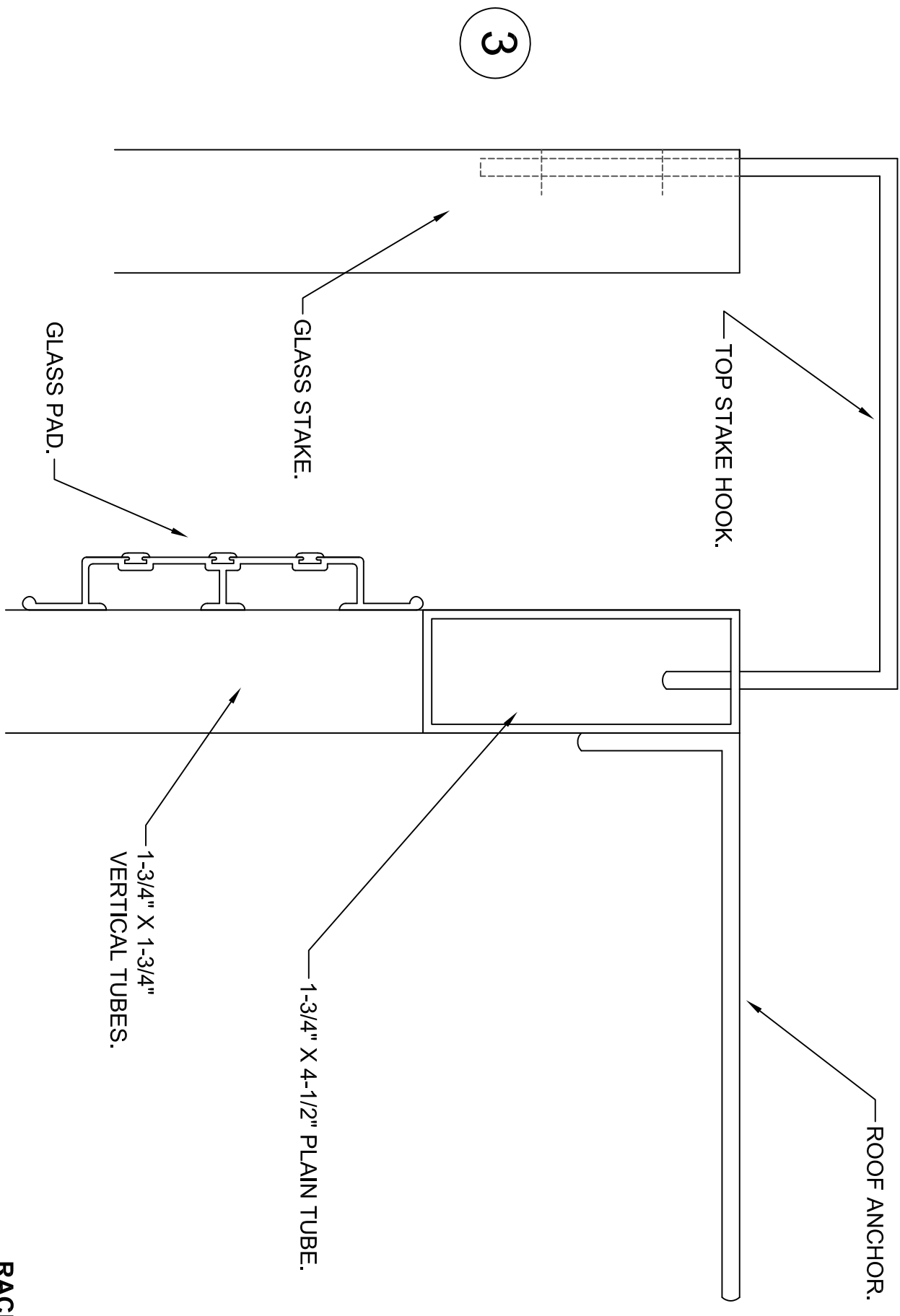
4





PORTAL INC.
10 TRACY DRIVE - AVON, MA. 02322

CUSTOM GLASS RACKS



PH: 800-966-3030 / www.portalincorporated.com

RACKS-4